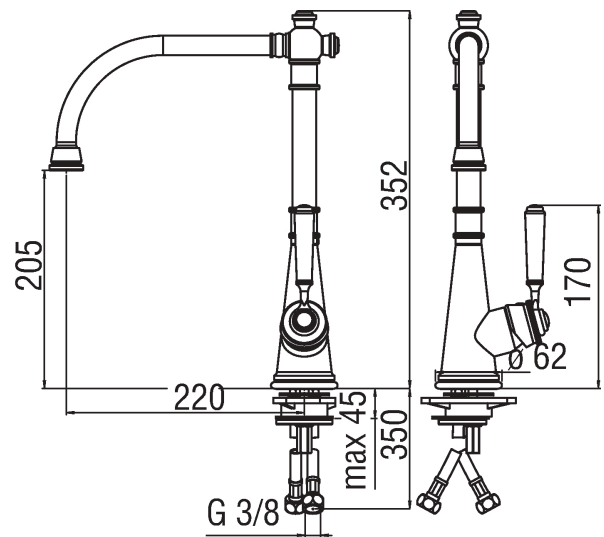


# CHARLIE CH75513CR

## Image



## Technical drawing



## Specifications

CHARLIE  
Single control  
Chrome Finish  
Swivel spout  
Cartridge  $\varnothing$  35 mm  
Dynamic flow limiter (-50%)  
The temperature limiter  
Internal aerator Neoperl® M 24 x 1 – M 22 x 1  
Flexible Parigi® SPX® stainless steel  $\varnothing$  3/8"  
Packaging: 56,5 x 29 x 7,1 cm / 0,011633 m<sup>3</sup> / 2,98 kg

## Flow rate diagram

