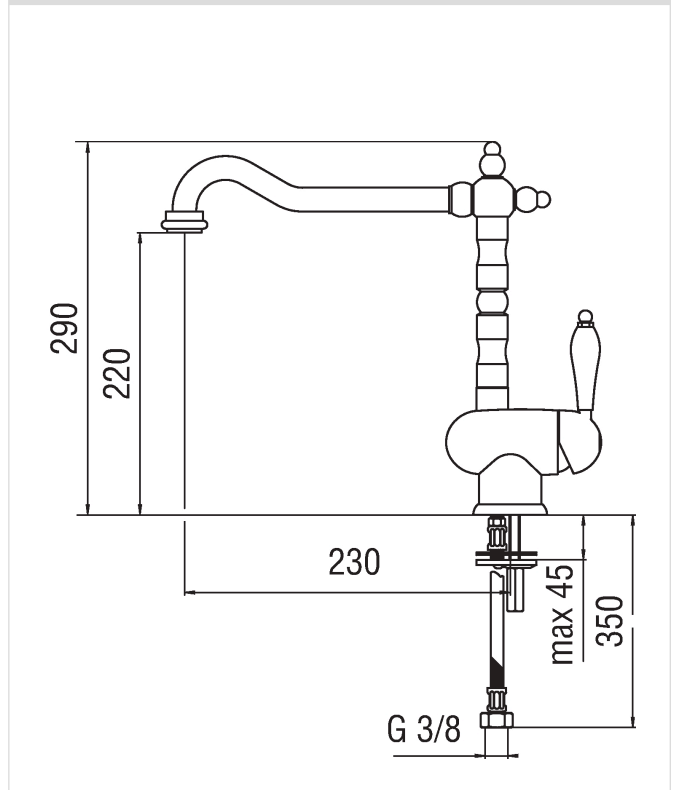


ANTICA  
AT18513BR

Image



Technical drawing



Specifications

Sink  
Single control  
Bronze Finish  
Swivel spout  
Cartridge  $\varnothing$  40 mm  
Aerator Neoperl<sup>®</sup> M 22 x 1  
Flexible Parigi<sup>®</sup> SPX<sup>®</sup> stainless steel  $\varnothing$  3/8"  
Packaging: 56,5 x 29 x 7,1 cm / 0,011633 m<sup>3</sup> / 2,57 kg

Flow rate diagram

