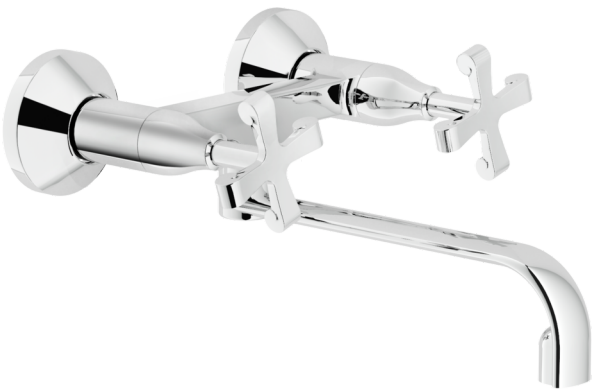
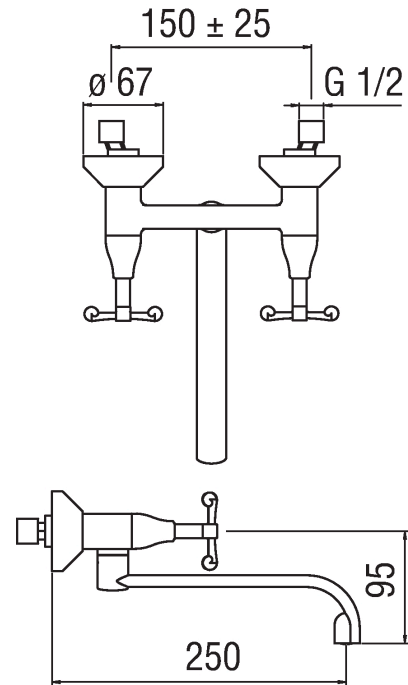


Image



Technical drawing



Specifications

Sink
External unit
Chrome Finish
Swivel spout
Aerator Neoperl[®] caché M 16,5 x 1
Packaging: 37,1 x 23,7 x 11 cm / 0,009671 m³ / 2,06 kg

Flow rate diagram

