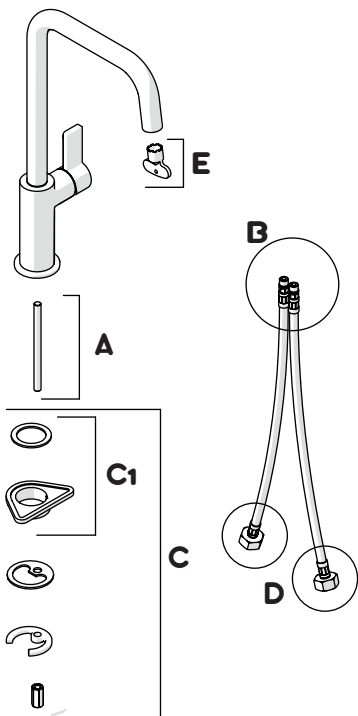


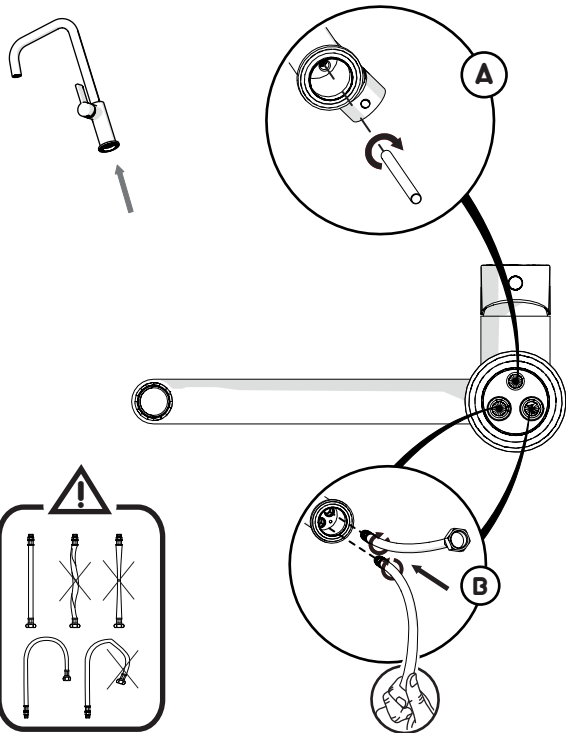
+



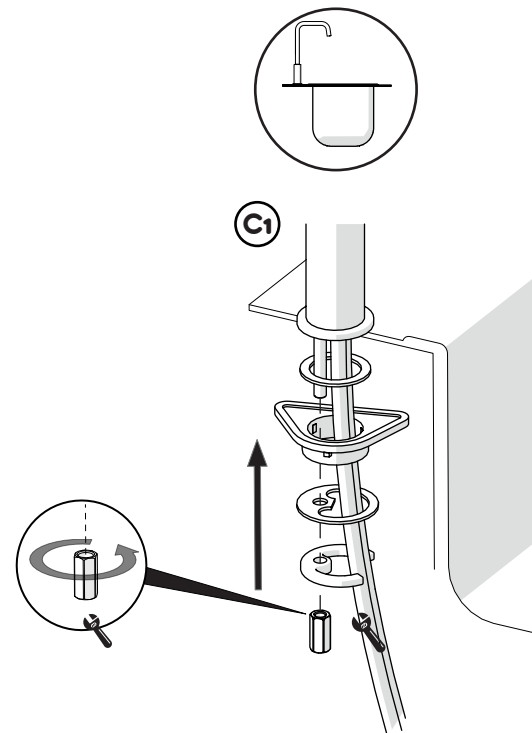
Not included / Non incluso / Non inclus / Nie zawarty / No incluido / Não incluido



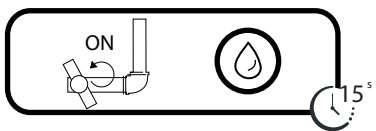
1



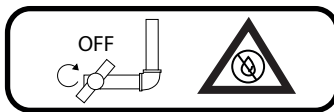
3



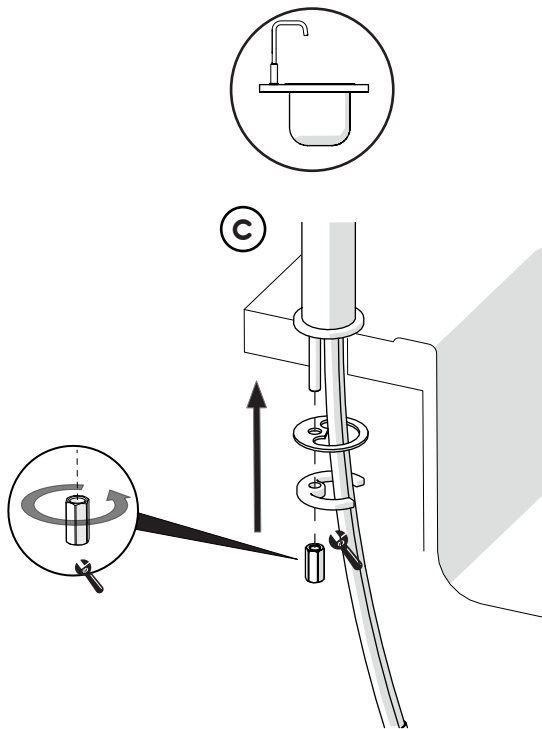
5



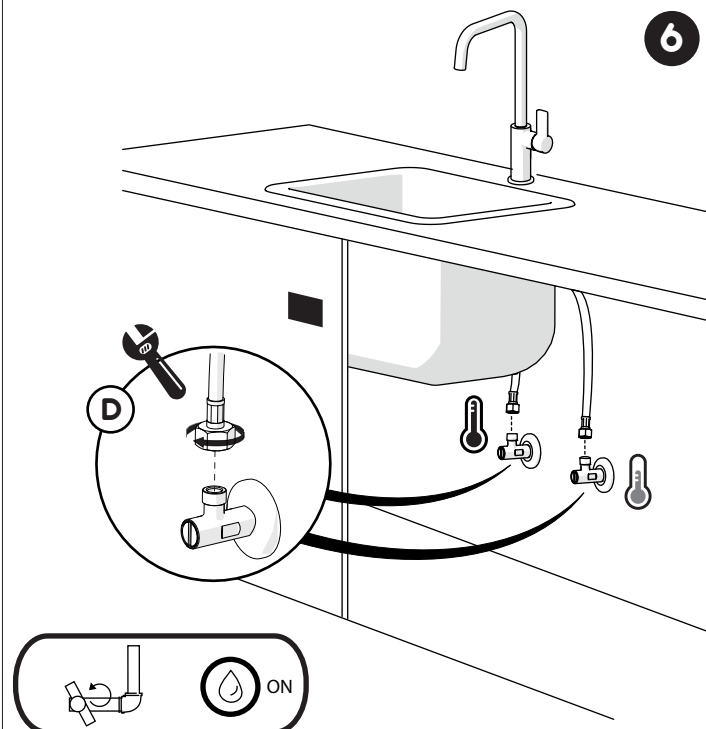
2



4



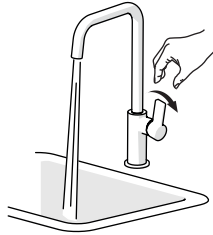
6



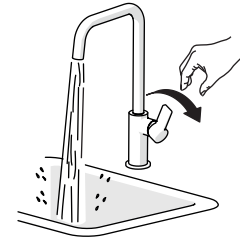
-50%



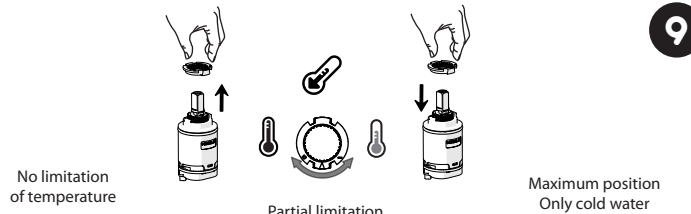
7



ON 50%



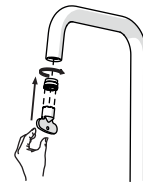
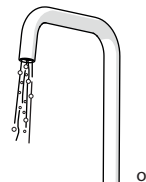
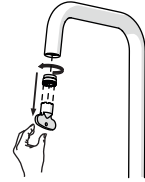
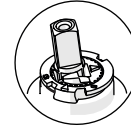
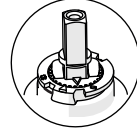
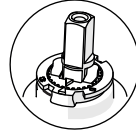
ON 100%



No limitation of temperature

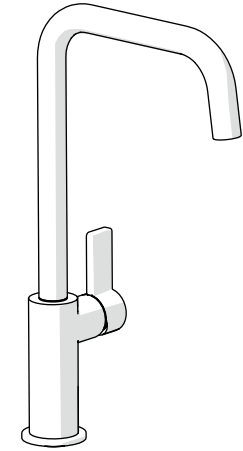
Partial limitation of temperature

Maximum position Only cold water



on

NOBILIA
The Best Technology for Water



FL96123



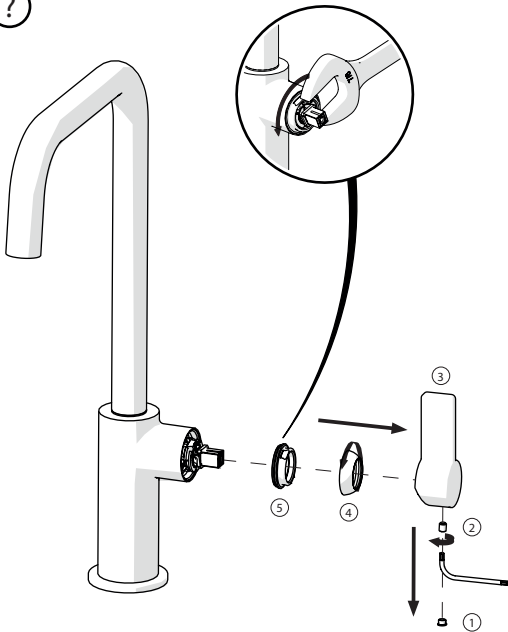
www.grupponobili.it

IISTRFL96123#--STD

REV03/2013

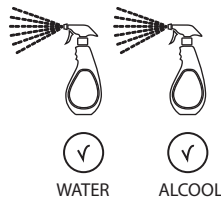


8



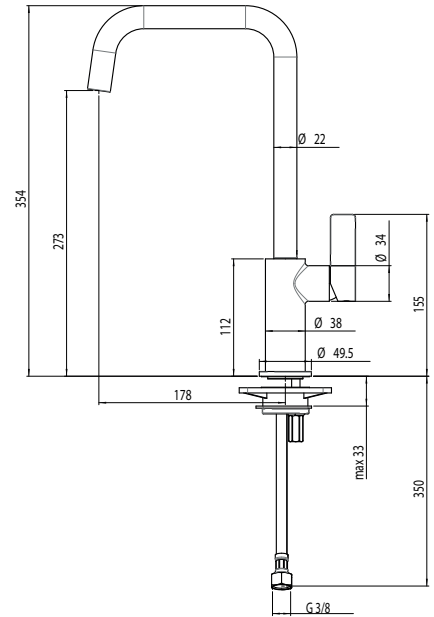
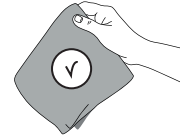
10

CLEANING



WATER

ALCOOL



	P	P bar	0,5 MIN.	MAX 10		5			T	T ∞C		MAX 80		65 45	
--	---	-------	----------	--------	--	---	--	--	---	------	--	--------	--	-------	--