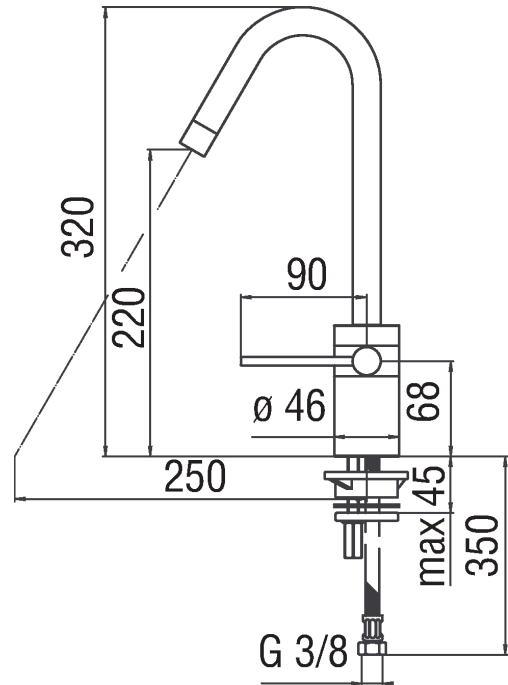


Image



Technical drawing



Specifications

- Sink
- Single control
- Chrome Finish
- Swivel spout
- Coaxial cartridge \varnothing 35 mm
- Energy saving (opening in cold water with central lever position)
- Aerator Neoperl® M 16 x 1
- Flexible Parigi® SPX® stainless steel \varnothing 3/8"
- Packaging: 41 x 21 x 7 cm / 0,006027 m³ / 1,71 kg

Flow rate diagram

