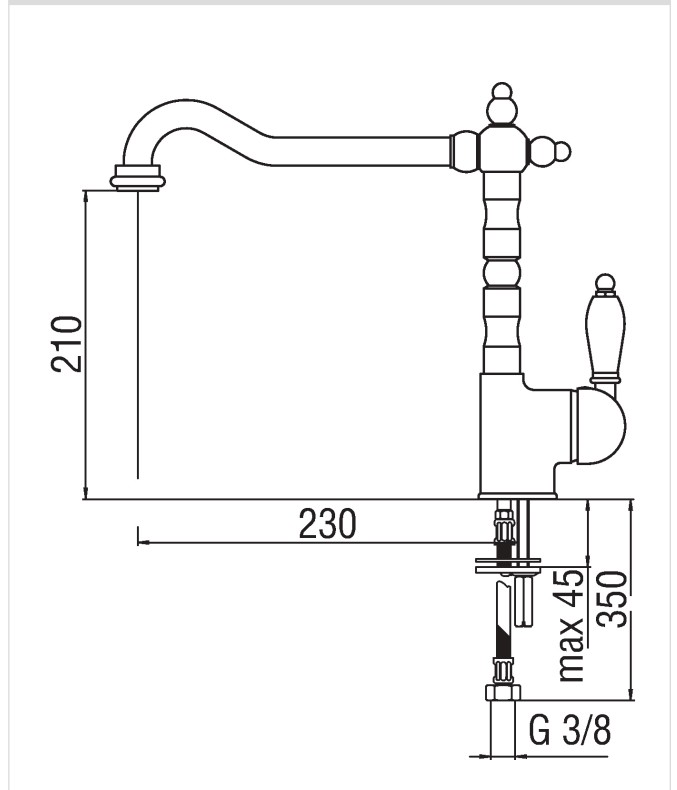


ANTICA
AT18113BR

Image



Technical drawing



Specifications

- Sink
- Single control
- Bronze Finish
- Swivel spout
- Cartridge \varnothing 45 mm
- Aerator Neoperl[®] M 22 x 1
- Flexible Parigi[®] SPX[®] stainless steel \varnothing 3/8"
- Packaging: 56,5 x 29 x 7,1 cm / 0,011633 m³ / 2,77 kg

Flow rate diagram

