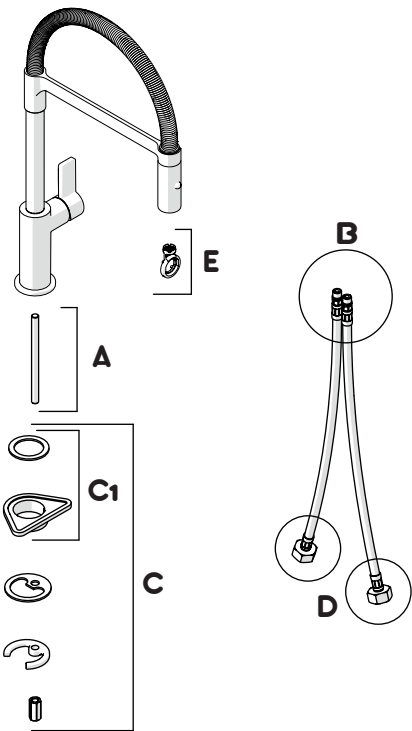




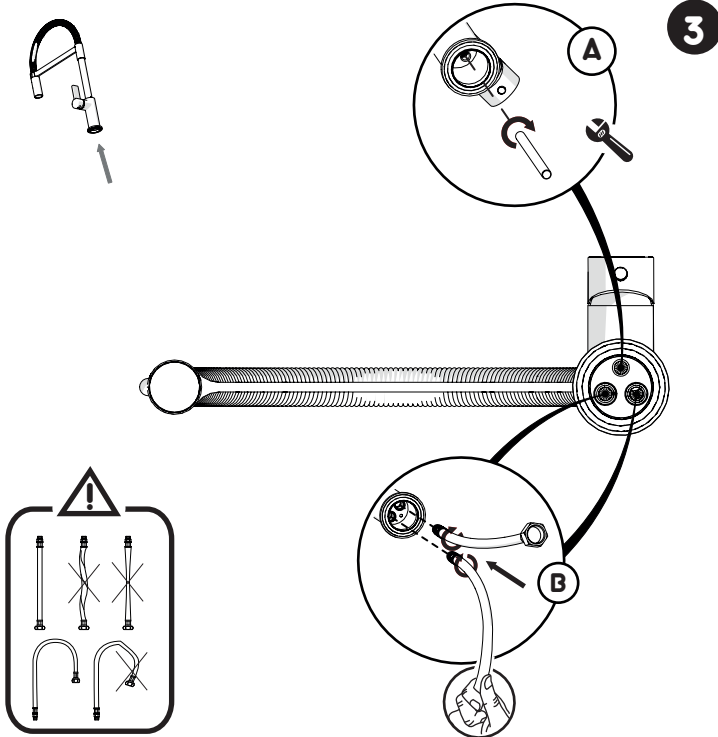
+



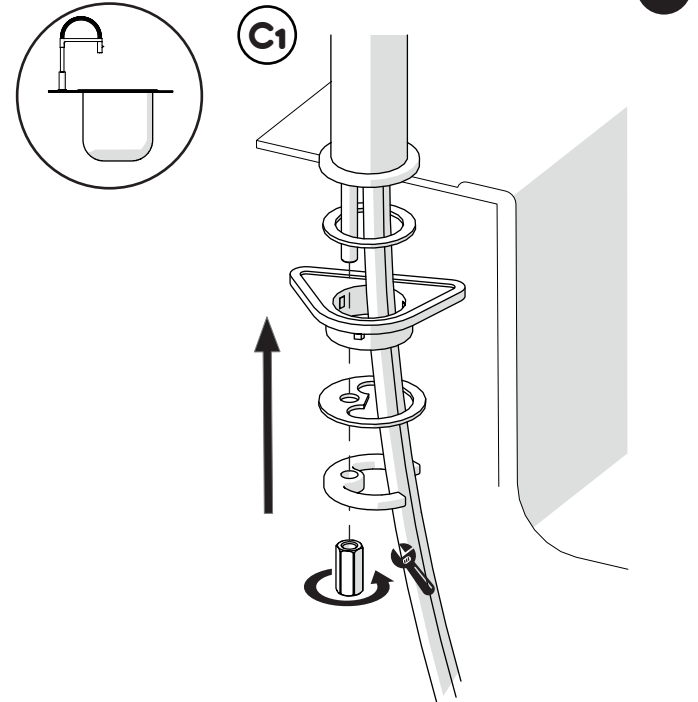
Not included / Non incluso / Non inclus / Nie zawarty / No incluido / Nao incluido



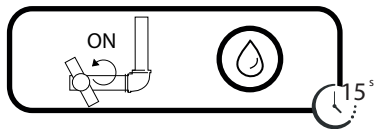
1



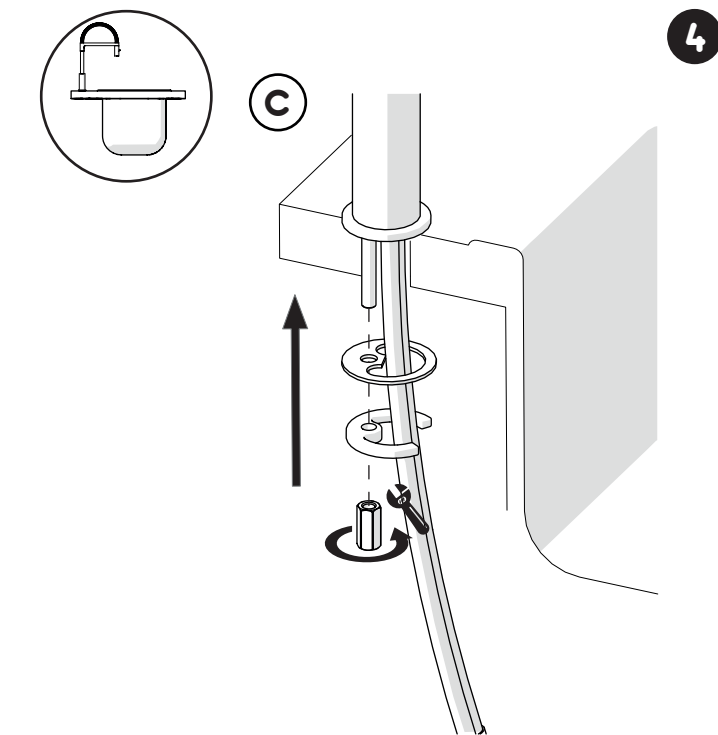
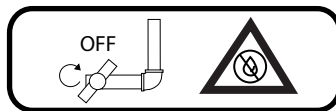
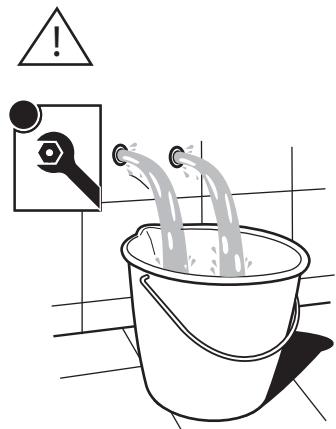
3



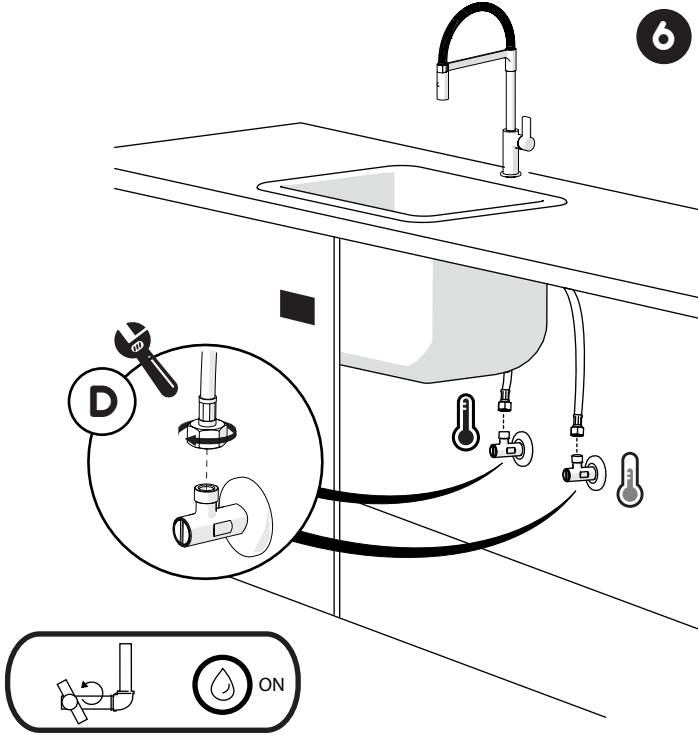
5



2

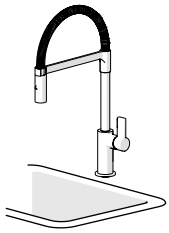


4

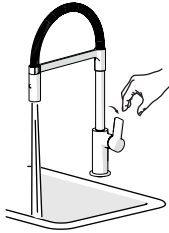


6

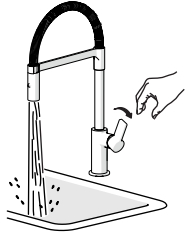
-50%



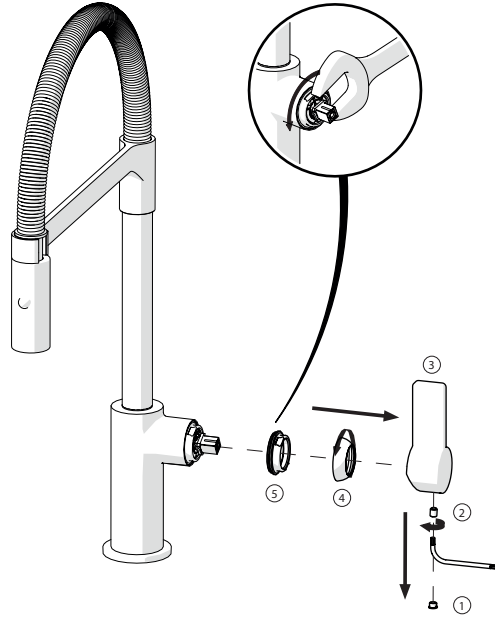
7



ON 50%

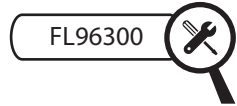
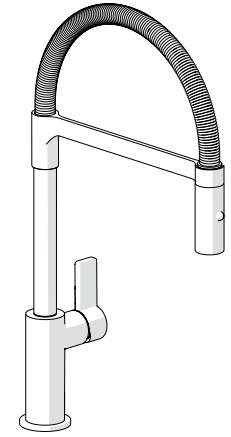


ON 100%



9

**NOBILIS**  
The Best Technology for Water

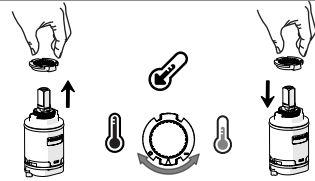
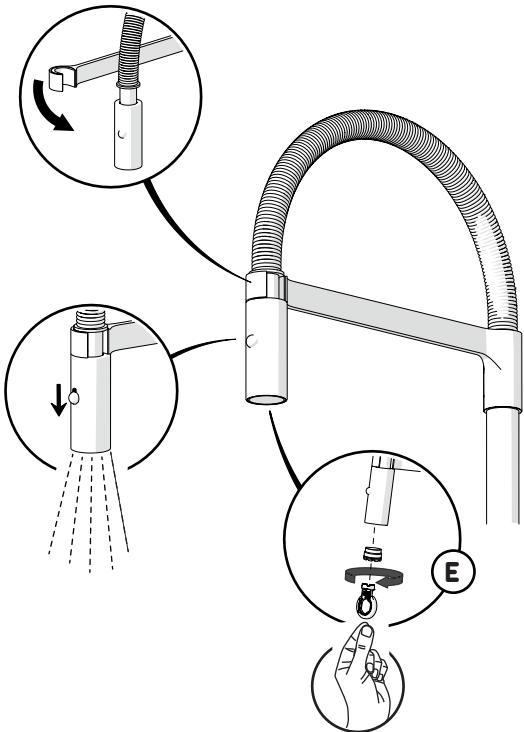


www.grupponobili.it

IISTREL96300#--STD

REV01/2013

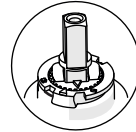
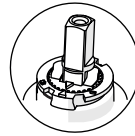
8



No limitation of temperature

Partial limitation of temperature

Maximum position Only cold water



10

CLEANING

