

beko



Cooler/Freezer

Kühlschrank/Gefrierschrank

Congélateur/Réfrigérateur

Koelkast

Chłodziarka

BCH 130000

Please read this user manual first!

Dear Customer,

We hope that your product, which has been produced in modern plants and checked under the most meticulous quality control procedures, will provide you an effective service.

Therefore, read this entire user manual carefully before using the product and keep it as a reference. If you handover the product to someone else, give the user manual as well.

The user manual will help you use the product in a fast and safe way.


- Read the manual before installing and operating the product.
- Make sure you read the safety instructions.
- Keep the manual in an easily accessible place as you may need it later.
- Read the other documents given with the product.

Remember that this user manual is also applicable for several other models. Differences between models will be identified in the manual.

Explanation of symbols

Throughout this user manual the following symbols are used:

 Important information or useful tips.

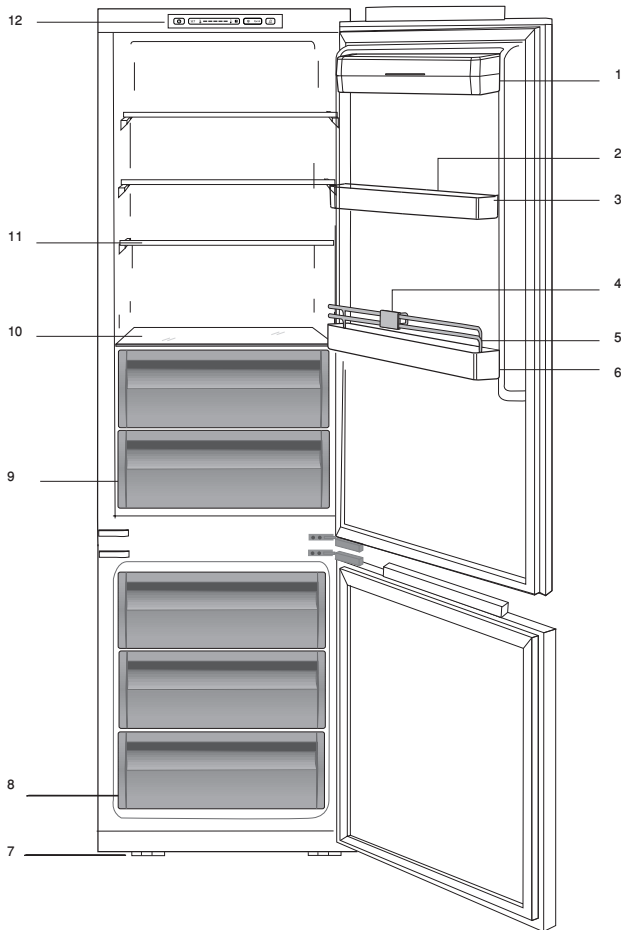
 Warning against dangerous conditions for life and property.

 Warning against electric voltage.

CONTENTS

1 Your cooler/freezer	5	4 Preparation	12
2 Important Safety Warnings	6	Reversing the doors	13
Intended use	6	5 Using your cooler/ freezer	14
General safety	6	6 Maintenance and cleaning	15
For products with a water dispenser; ..	8	Protection of plastic surfaces	15
Child safety.....	8	7 Troubleshooting	16
Compliance with the AEEE Regulation and Disposing of the Waste Product..	8		
Package information.....	9		
HCA warning.....	9		
Things to be done for energy saving ..	9		
3 Installation	10		
Points to be paid attention to when the relocation of the cooler/freezer.....	10		
Before you start the cooler/freezer, ..	10		
Electrical connection.....	10		
Disposing of the packaging	11		
Disposing of your old cooler/freezer.	11		
Placing and Installation	11		
Changing the illumination lamp	11		
Door Open Warning.....	11		

1 Your cooler/freezer



- | | |
|-----------------------------|-----------------------------|
| 1. Butter & Cheese sections | 7. Adjustable front feet |
| 2. Egg tray | 8. Freezer compartment |
| 3. Adjustable door shelves | 9. Chiller |
| 4. Shelter wire | 10. Chiller cover and glass |
| 5. Bottle holder | 11. Adjustable shelves |
| 6. Bottle shelves | 12. Indicator panel |

i Figures that take place in this instruction manual are schematic and may not correspond exactly with your product. If the subject parts are not included in the product you have purchased, then it is valid for other models.

2 Important Safety Warnings

Please review the following information. Failure to observe this information may cause injuries or material damage. Otherwise, all warranty and reliability commitments will become invalid.

The service life of your product is 10 years. During this period, original spare parts will be available to operate the product properly.

Intended use

This product is intended to be used

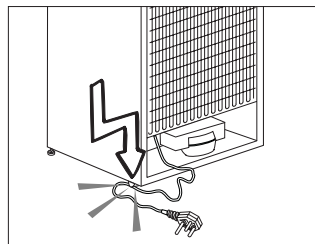
- indoors and in closed areas such as homes;
- in closed working environments such as stores and offices;
- in closed accommodation areas such as farm houses, hotels, pensions.
- It should not be used outdoors.

General safety

- When you want to dispose/scrap the product, we recommend you to consult the authorized service in order to learn the required information and authorized bodies.
- Consult your authorized service for all your questions and problems related to the cooler/freezer. Do not intervene or let someone intervene to the cooler/freezer without notifying the authorised services.
- For products with a freezer compartment; Do not eat cone ice cream and ice cubes immediately after you take them out of the freezer compartment! (This may cause frostbite in your mouth.)

- For products with a freezer compartment; Do not put bottled and canned liquid beverages in the freezer compartment. Otherwise, these may burst.
- Do not touch frozen food by hand; they may stick to your hand.
- Unplug your cooler/freezer before cleaning or defrosting.
- Vapor and vaporized cleaning materials should never be used in cleaning and defrosting processes of your cooler/freezer. In such cases, the vapor may get in contact with the electrical parts and cause short circuit or electric shock.
- Never use the parts on your cooler/freezer such as the door as a means of support or step.
- Do not use electrical devices inside the cooler/freezer.
- Do not damage the parts, where the refrigerant is circulating, with drilling or cutting tools. The refrigerant that might blow out when the gas channels of the evaporator, pipe extensions or surface coatings are punctured causes skin irritations and eye injuries.
- Do not cover or block the ventilation holes on your cooler/freezer with any material.
- Electrical devices must be repaired by only authorised persons. Repairs performed by incompetent persons create a risk for the user.

- In case of any failure or during a maintenance or repair work, disconnect your cooler/freezer's mains supply by either turning off the relevant fuse or unplugging your appliance.
- Do not pull by the cable when pulling off the plug.
- Place the beverage with higher proofs tightly closed and vertically.
- Never store spray cans containing flammable and explosive substances in the cooler/freezer.
- Do not use mechanical devices or other means to accelerate the defrosting process, other than those recommended by the manufacturer.
- This product is not intended to be used by persons with physical, sensory or mental disorders or unlearned or inexperienced people (including children) unless they are attended by a person who will be responsible for their safety or who will instruct them accordingly for use of the product
- Do not operate a damaged cooler/freezer. Consult with the service agent if you have any concerns.
- Electrical safety of your cooler/freezer shall be guaranteed only if the earth system in your house complies with standards.
- Exposing the product to rain, snow, sun and wind is dangerous with respect to electrical safety.
- Contact authorized service when there is a power cable damage to avoid danger.
- Never plug the cooler/freezer into the wall outlet during installation. Otherwise, risk of death or serious injury may arise.
- This cooler/freezer is intended for only storing food items. It must not be used for any other purpose.
- Label of technical specifications is located on the left wall inside the cooler/freezer.
- Never connect your cooler/freezer to electricity-saving systems; they may damage the cooler/freezer.
- If there is a blue light on the cooler/freezer, do not look at the blue light with optical tools.
- For manually controlled cooler/freezers, wait for at least 5 minutes to start the cooler/freezer after power failure.
- This operation manual should be handed in to the new owner of the product when it is given to others.
- Avoid causing damage on power cable when transporting the cooler/freezer. Bending cable may cause fire. Never place heavy objects on power cable.
- Do not touch the plug with wet hands when plugging the product.



- Do not plug the cooler/freezer if the wall outlet is loose.
- Water should not be sprayed on inner or outer parts of the product for safety purposes.

- Do not spray substances containing inflammable gases such as propane gas near the cooler/freezer to avoid fire and explosion risk.
- Never place containers filled with water on top of the cooler/freezer; in the event of spillages, this may cause electric shock or fire.
- Do not overload the cooler/freezer with food. If overloaded, the food items may fall down and hurt you and damage cooler/freezer when you open the door.
- Never place objects on top of the cooler/freezer; otherwise, these objects may fall down when you open or close the cooler/freezer's door.
- As they require a precise temperature, vaccines, heat-sensitive medicine and scientific materials and etc. should not be kept in the cooler/freezer.
- If not to be used for a long time, cooler/freezer should be unplugged. A possible problem in power cable may cause fire.
- The plug's tip should be cleaned regularly with a dry cloth; otherwise, it may cause fire.
- Cooler/freezer may move if adjustable legs are not properly secured on the floor. Properly securing adjustable legs on the floor can prevent the cooler/freezer to move.
- When carrying the cooler/freezer, do not hold it from door handle. Otherwise, it may be snapped.

- When you have to place your product next to another cooler/freezer or freezer, the distance between devices should be at least 8cm. Otherwise, adjacent side walls may be humidified.

For products with a water dispenser;

Pressure of water mains should be minimum 1 bar. Pressure of water mains should be maximum 8 bars.

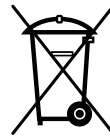
- Use only potable water.

Child safety

- If the door has a lock, the key should be kept away from reach of children.
- Children must be supervised to prevent them from tampering with the product.

Compliance with the AEEE Regulation and Disposing of the Waste Product

This product does not contain harmful and forbidden materials described in the "Regulation on the Control of the Waste Electrical and Electronic Equipment" issued by the T.R. Ministry of Environment and City Planning. Complies with the AEEE Regulation.



This product has been manufactured with high quality parts and materials which can be reused and are suitable for recycling.

Therefore, do not dispose the product with normal domestic waste at the end of its service life. Take it to a collection point for the recycling of electrical and electronic equipment. Please consult your local authorities to learn the nearest collection

point. Help protect the environment and natural resources by recycling used products. For children's safety, cut the power cable and break the locking mechanism of the door, if any, so that it will be non-functional before disposing of the product.

Package information

Packaging materials of the product are manufactured from recyclable materials in accordance with our National Environment Regulations. Do not dispose of the packaging materials together with the domestic or other wastes. Take them to the packaging material collection points designated by the local authorities.

Do not forget...

Any recycled substance is an indispensable matter for nature and our national asset wealth.

If you want to contribute to the re-evaluation of the packaging materials, you can consult to your environmentalist organizations or the municipalities where you are located.

HCA warning

If your product's cooling system contains R600a:

This gas is flammable. Therefore, pay attention to not damaging the cooling system and piping during usage and transportation. In the event of damage, keep your product away from potential fire sources that can cause the product catch a fire and ventilate the room in which the unit is placed.

Ignore this warning if your product's cooling system contains R134a.

Type of gas used in the product is stated in the type label which is on the left wall inside the cooler/freezer.

Never throw the product in fire for disposal.

Things to be done for energy saving

- Do not leave the doors of your cooler/freezer open for a long time.
- Do not put hot food or drinks in your cooler/freezer.
- Do not overload your cooler/freezer so that the air circulation inside of it is not prevented.
- Do not install your cooler/freezer under direct sunlight or near heat emitting appliances such as ovens, dishwashers or radiators. Keep your cooler/freezer at least 30cm away from heat emitting sources and at least 5cm from electrical ovens.
- Pay attention to keep your food in closed containers.
- For products with a freezer compartment; You can store maximum amount of food items in the freezer when you remove the shelf or drawer of the freezer. Energy consumption value stated for your cooler/freezer has been determined by removing freezer shelf or drawer and under maximum load. There is no harm to use a shelf or drawer according to the shapes and size of food to be frozen.
- Thawing frozen food in fridge compartment will both provide energy saving and preserve the food quality.

3 Installation

⚠ In case the information which are given in the user manual are not taken into account, manufacturer will not assume any liability for this.

Points to be paid attention to when the relocation of the cooler/freezer

1. Your cooler/freezer should be unplugged. Before transportation of your cooler/freezer, it should be emptied and cleaned.
2. Before it is re-packaged, shelves, accessories, crisper, etc. inside your cooler/freezer should be fixed with adhesive tape and secured against impacts. Package should be bound with a thick tape or sound ropes and the transportation rules on the package should be strictly observed.
3. Original packaging and foam materials should be kept for future transportations or moving.

Before you start the cooler/freezer,

Check the following before you start to use your cooler/freezer:

1. Attach 2 plastic wedges as illustrated below. Plastic wedges are intended to keep the distance which will ensure the air circulation between your cooler/freezer and the wall. (The picture is drawn up as a representation and it is not identical with your product.)

2. Clean the interior of the cooler/freezer as recommended in the “Maintenance and cleaning” section.
3. Connect the plug of the cooler/freezer to the wall socket. When the fridge door is opened, fridge internal lamp will turn on.
4. When the compressor starts to operate, a sound will be heard. The liquid and gases sealed within the refrigeration system may also give rise to noise, even if the compressor is not running and this is quite normal.
5. Front edges of the cooler/freezer may feel warm. This is normal. These areas are designed to be warm to avoid condensation.

Electrical connection

Connect your product to a grounded socket which is being protected by a fuse with the appropriate capacity.

Important:

The connection must be in compliance with national regulations.

- The power plug must be easily accessible after installation.
- Electrical safety of your cooler/freezer shall be guaranteed only if the earth system in your house complies with standards.
- The voltage stated on the label located at left inner side of your product should be equal to your network voltage.
- **Extension cables and multi plugs must not be used for connection.**

⚠ A damaged power cable must be replaced by a qualified electrician.

⚠ Product must not be operated before it is repaired! There is the risk of electric shock!

Disposing of the packaging

The packing materials may be dangerous for children. Keep the packing materials out of the reach of children or dispose of them by classifying them in accordance with the waste instructions stated by your local authorities. Do not throw away with regular house waste, throw away on packaging pick up spots designated by the local authorities.

The packing of your cooler/freezer is produced from recyclable materials.

Disposing of your old cooler/freezer

Dispose of your old cooler/freezer without giving any harm to the environment.

- You may consult your authorized dealer or waste collection center of your municipality about the disposal of your cooler/freezer.

Before disposing of your cooler/freezer, cut out the electric plug and, if there are any locks on the door, make them inoperable in order to protect children against any danger.

Placing and Installation

⚠ If the entrance door of the room where the cooler/freezer will be installed is not wide enough for the cooler/freezer to pass through, then call the authorized service to have them remove the doors of your cooler/freezer and pass it sideways through the door.

1. Install your cooler/freezer to a place that allows ease of use.
2. Keep your cooler/freezer away from heat sources, humid places and direct sunlight.
3. There must be appropriate air ventilation around your cooler/freezer in order to achieve an efficient operation. If the cooler/freezer is to be placed in a recess in the wall, there must be at least 5 cm distance with the ceiling and at least 5 cm with the wall. Do not place your product on the materials such as rug or carpet.
4. Place your cooler/freezer on an even floor surface to prevent jolts.

Changing the illumination lamp

To change the Bulb/LED used for illumination of your refrigerator, call your Authorized Service.

Door Open Warning

(This feature is optional)

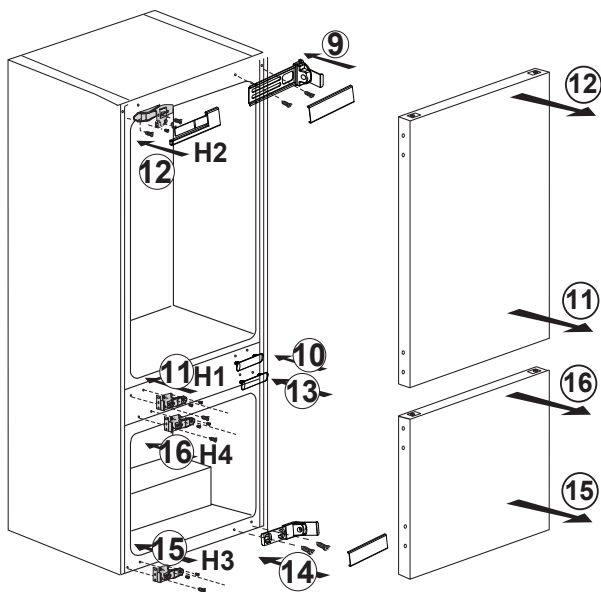
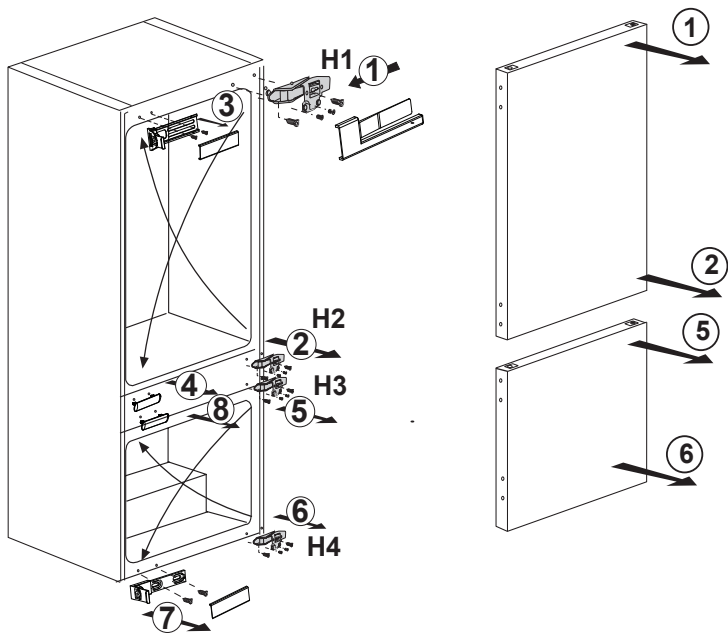
An audio warning signal will be given when the door of your product is left open for at least 1 minute. This warning will be muted when the door is closed or any of the display buttons (if any) are pressed.

4 Preparation

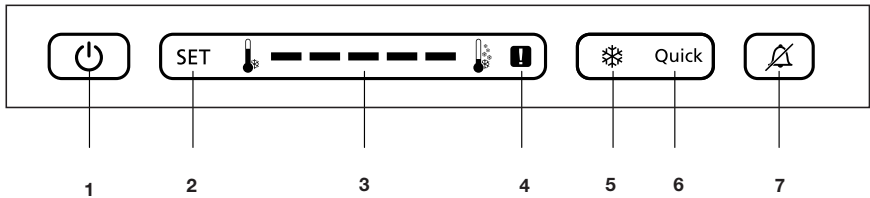
- Your cooler/freezer should be installed at least 30 cm away from heat sources such as hobs, ovens, central heater and stoves and at least 5 cm away from electrical ovens and should not be located under direct sunlight.
- The ambient temperature of the room where you install your cooler/freezer should at least be 10°C. Operating your cooler/freezer under cooler conditions is not recommended with regard to its efficiency.
- Please make sure that the interior of your cooler/freezer is cleaned thoroughly.
- If two cooler/freezers are to be installed side by side, there should be at least 2 cm distance between them.
- When you operate your cooler/freezer for the first time, please observe the following instructions during the initial six hours.
- The door should not be opened frequently.
- It must be operated empty without any food in it.
- Do not unplug your cooler/freezer. If a power failure occurs out of your control, please see the warnings in the “Recommended solutions for the problems” section.
- Original packaging and foam materials should be kept for future transportations or moving.
- You can load maximum amount of food to the freezer compartment of the cooler/freezer by removing the freezer compartment drawers. Declared energy consumption value of the cooler/freezer was determined with the freezer compartment drawers removed, except if available bottom drawer and with maximum amount of food loaded. There is no risk in using a shelf or drawer suitable for the shapes and sizes of the foods to be frozen.
- Do not block the freezer fan grill by placing foods in front. There must always be left minimum 3 cm open distance in front of the freezer fan grill to allow necessary air flow to freeze the compartment efficiently.

Reversing the doors

Proceed in numerical order



5 Using your cooler/freezer



1- On/Off function

Press the On/Off button for 3 seconds to turn off or turn on the fridge.

2- Fridge Set Function

This function allows you to make the fridge compartment temperature setting.

Press this button to set the temperature of the fridge compartment to - (warmest), --, ---, ----, ----- (coldest) respectively.

3- Fridge Compartment

Temperature Setting Indicator

Indicates the temperature set for the Fridge Compartment. Settings are - (warmest), --, ---, ----, ----- (coldest)

4- High Temperature Error /

Warning Indicator

This light comes on during high temperature failures and error warnings.

5- Quick Fridge Indicator

This icon lits when the Quick Fridge function is active.

6-Quick Fridge Function

When you press Quick Fridge button,

the temperature of the compartment will be colder than the adjusted values.

This function can be used for food placed in the fridge compartment and required to be cooled down rapidly.

If you want to cool large amounts of fresh food, it is recommended to active this feature before putting the food

into the fridge. Quick Fridge indicator will remain lit when the Quick Fridge function is enabled. To cancel this

function press Quick Fridge button again. Quick Fridge indicator will turn off and return to its normal settings.

If you do not cancel it, Quick Fridge will cancel itself automatically after 2 hours or when the fridge compartment

reaches to the required temperature. This function is not recalled when power restores after a power failure.

7- Alarm Off

When the fridge door is opened for 2 minutes or when there a sensor failure, a sound alarm turns on. Alarm can be turned off by pressing "Alarm Off" button.

Sensor failure alarm will not sound till power failure. If you close the door and then open again "Door open alarm" will be activated again after 2 minutes later .

6 Maintenance and cleaning

- ⚠ Never use gasoline, benzene or similar substances for cleaning purposes.
- ⚠ We recommend that you unplug the appliance before cleaning.
- ⚠ Never use any sharp abrasive instrument, soap, household cleaner, detergent and wax polish for cleaning.
- ℹ Use lukewarm water to clean the cabinet of your cooler/freezer and wipe it dry.
- ℹ Use a damp cloth wrung out in a solution of one teaspoon of bicarbonate of soda to one pint of water to clean the interior and wipe it dry.
- ⚠ Make sure that no water enters the lamp housing and other electrical items.
- ⚠ If your cooler/freezer is not going to be used for a long period of time, unplug the power cable, remove all food, clean it and leave the door ajar.
- ℹ Check door seals regularly to ensure they are clean and free from food particles.

- ⚠ To remove door racks, remove all the contents and then simply push the door rack upwards from the base.
- ⚠ Never use cleaning agents or water that contain chlorine to clean the outer surfaces and chromium coated parts of the product. Chlorine causes corrosion on such metal surfaces.

Protection of plastic surfaces

- ℹ Do not put the liquid oils or oil-cooked meals in your cooler/freezer in unsealed containers as they damage the plastic surfaces of your cooler/freezer. In case of spilling or smearing oil on the plastic surfaces, clean and rinse the relevant part of the surface at once with warm water.

7 Troubleshooting

Please review this list before calling the service. It will save your time and money. This list includes frequent complaints that are not arising from defective workmanship or material usage. Some of the features described here may not exist in your product.

The cooler/freezer does not operate.

- The plug is not inserted into the socket correctly. >>>Insert the plug into the socket securely.
- The fuse of the socket which your cooler/freezer is connected to or the main fuse have blown out. >>>Check the fuse.

Condensation on the side wall of the fridge compartment (MULTIZONE, COOL CONTROL and FLEXI ZONE).

- Ambient is very cold. >>>Do not install the cooler/freezer in places where the temperature falls below 10 °C.
- Door has been opened frequently. >>>Do not open and close the door of cooler/freezer frequently.
- Ambient is very humid. >>>Do not install your cooler/freezer into highly humid places.
- Food containing liquid is stored in open containers. >>>Do not store food with liquid content in open containers.
- Door of the cooler/freezer is left ajar. >>>Close the door of the cooler/freezer.
- Thermostat is set to a very cold level. >>>Set the thermostat to a suitable level.

Compressor is not running

- Protective thermic of the compressor will blow out during sudden power failures or plug-out plug-ins as the refrigerant pressure in the cooling system of the cooler/freezer has not been balanced yet. The cooler/freezer will start running approximately after 6 minutes. Please call the service if the cooler/freezer does not startup at the end of this period.
- The fridge is in defrost cycle. >>>This is normal for a full-automatically defrosting cooler/freezer. Defrosting cycle occurs periodically.
- The cooler/freezer is not plugged into the socket. >>>Make sure that the plug is fit into the socket.
- Temperature settings are not made correctly. >>>Select the suitable temperature value.
- There is a power outage. >>>Cooler/freezer returns to normal operation when the power restores.

The operation noise increases when the cooler/freezer is running.

- The operating performance of the cooler/freezer may change due to the changes in the ambient temperature. It is normal and not a fault.

<p>The cooler/freezer is running frequently or for a long time.</p>
<ul style="list-style-type: none"> • New product may be wider than the previous one. Larger cooler/freezers operate for a longer period of time. • The room temperature may be high. >>>It is normal that the product operates for longer periods in hot ambient. • The cooler/freezer might be plugged in recently or might be loaded with food. >>>When the cooler/freezer is plugged in or loaded with food recently, it will take longer for it to attain the set temperature. This is normal. • Large amounts of hot food might be put in the cooler/freezer recently. >>>Do not put hot food into the cooler/freezer. • Doors might be opened frequently or left ajar for a long time. >>>The warm air that has entered into the cooler/freezer causes the cooler/freezer to run for longer periods. Do not open the doors frequently. • Freezer or fridge compartment door might be left ajar. >>>Check if the doors are closed completely. • The cooler/freezer is adjusted to a very low temperature. >>>Adjust the cooler/freezer temperature to a warmer degree and wait until the temperature is achieved. • Door seal of the fridge or freezer may be soiled, worn out, broken or not properly seated. >>>Clean or replace the seal. Damaged/broken seal causes the cooler/freezer to run for a longer period of time in order to maintain the current temperature.
<p>Freezer temperature is very low while the fridge temperature is sufficient.</p>
<ul style="list-style-type: none"> • The freezer temperature is adjusted to a very low value. >>>Adjust the freezer temperature to a warmer degree and check.
<p>Fridge temperature is very low while the freezer temperature is sufficient.</p>
<ul style="list-style-type: none"> • The fridge temperature is adjusted to a very low value. >>>Adjust the fridge temperature to a warmer degree and check.
<p>Food kept in the fridge compartment drawers is frozen.</p>
<ul style="list-style-type: none"> • The fridge temperature is adjusted to a very high value. >>>Adjust the fridge temperature to a lower value and check.

Temperature in the fridge or freezer is very high.
<ul style="list-style-type: none"> • The fridge temperature is adjusted to a very high value. >>>Fridge compartment temperature setting has an effect on the temperature of the freezer. Change the temperatures of the fridge or freezer and wait until the relevant compartments attain a sufficient temperature. • Doors are opened frequently or left ajar for a long time. >>>Do not open the doors frequently. • Door is ajar. >>>Close the door completely. • The cooler/freezer is plugged in or loaded with food recently. >>>This is normal. When the cooler/freezer is plugged in or loaded with food recently, it will take longer for it to attain the set temperature. • Large amounts of hot food might be put in the cooler/freezer recently. >>>Do not put hot food into the cooler/freezer.
Vibrations or noise.
<ul style="list-style-type: none"> • The floor is not level or stable. >>> If the cooler/freezer rocks when moved slowly, balance it by adjusting its feet. Also make sure that the floor is strong enough to carry the cooler/freezer, and level. • The items put onto the cooler/freezer may cause noise. >>>Remove the items on top of the cooler/freezer.
There are noises coming from the cooler/freezer like liquid flowing, spraying, etc.
<ul style="list-style-type: none"> • Liquid and gas flows occur in accordance with the operating principles of your cooler/freezer. It is normal and not a fault.
Whistle comes from the cooler/freezer.
<ul style="list-style-type: none"> • Fans are used in order to cool the cooler/freezer. It is normal and not a fault.
Condensation on the inner walls of cooler/freezer.
<ul style="list-style-type: none"> • Hot and humid weather increases icing and condensation. It is normal and not a fault. • Doors are opened frequently or left ajar for a long time. >>>Do not open the doors frequently. Close them if they are open. • Door is ajar. >>>Close the door completely.
Humidity occurs on the outside of the cooler/freezer or between the doors.
<ul style="list-style-type: none"> • There might be humidity in the air; this is quite normal in humid weather. When the humidity is less, condensation will disappear.

Bad odour inside the cooler/freezer.

- No regular cleaning is performed. >>>Clean the inside of the cooler/freezer regularly with a sponge, lukewarm water or carbonate dissolved in water.
- Some containers or package materials may cause the smell. >>>Use a different container or different brand packaging material.
- Food is put into the cooler/freezer in uncovered containers. >>>Keep the food in closed containers. Microorganisms spreading out from uncovered containers can cause unpleasant odours.
- Remove the foods that have expired best before dates and spoiled from the cooler/freezer.

The door is not closing.

- Food packages are preventing the door from closing. >>>Replace the packages that are obstructing the door.
- The cooler/freezer is not completely even on the floor. >>>Adjust the feet to balance the cooler/freezer.
- The floor is not level or strong. >>>Make sure that the floor is level and capable to carry the cooler/freezer.

Crispers are stuck.

- The food is touching the ceiling of the drawer. >>>Rearrange food in the drawer.

Bitte lesen Sie zuerst diese Anleitung!

Lieber Kunde,

Wir sind sicher, dass Ihnen dieses Produkt, das in modernsten Fertigungsstätten hergestellt und den strengsten Qualitätsprüfungen unterzogen wurde, lange Zeit gute Dienste leisten wird.




Wir empfehlen Ihnen, vor Inbetriebnahme des Gerätes das gesamte Handbuch durchzulesen und es anschließend aufzubewahren.

Diese Anleitung...

- hilft Ihnen, Ihr Gerät schnell und sicher zu bedienen.
- Lesen Sie die Anleitung, bevor Sie Ihr Gerät aufstellen und bedienen.
- Halten Sie sich an die Anweisungen, beachten Sie insbesondere die Sicherheitshinweise.
- Bewahren Sie die Anleitung an einem leicht zugänglichen Ort auf, damit Sie jederzeit darin nachschlagen können.
- Lesen Sie auch die weiteren Dokumente, die mit Ihrem Produkt geliefert wurden.
- Bitte beachten Sie, dass diese Anleitung eventuell auch für andere Geräte eingesetzt werden kann.

Symbole und ihre Bedeutung

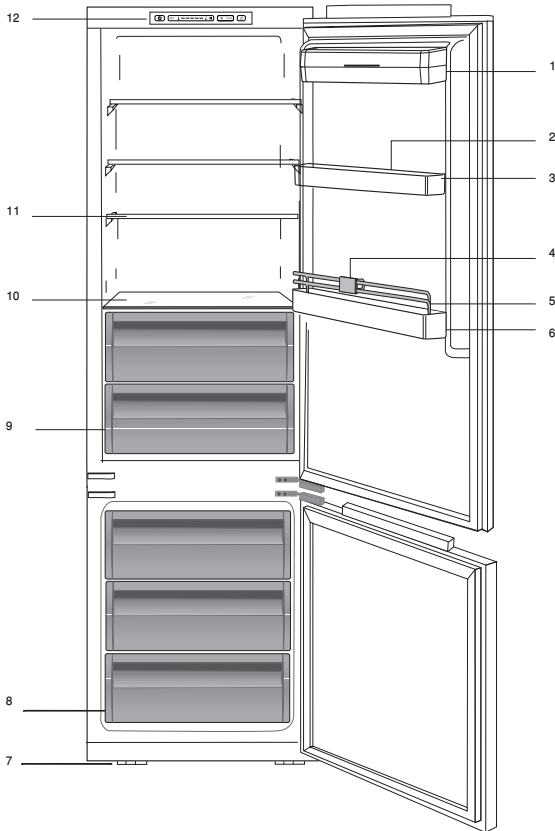
In dieser Anleitung finden Sie die folgenden Symbole:

-  Wichtige Informationen oder nützliche Tipps.
-  Warnung vor Verletzungen oder Sachschäden.
-  Warnung vor elektrischem Strom.

INHALT

1 Ihr Kühlschrank / Gefrierschrank	3	4 Vorbereitung	11
		Türanschlag umkehren.....	12
2 Wichtige Sicherheitshinweise	4	5 So bedienen Sie Ihren Kühlschrank / Gefrierschrank	13
Bestimmungsgemäßer Einsatz.....	4		
Allgemeine Hinweise zu Ihrer Sicherheit	4	6 Wartung und Reinigung	15
Bei Geräten mit Wasserspender:	7	Schutz der Kunststoffflächen	15
Kinder – Sicherheit	7	7 Empfehlungen zur Problemlösung	16
Konformität mit der AEEE-Richtlinie zur Entsorgung von Altgeräten	7		
Hinweise zur Verpackung	7		
HCA-Warnung.....	7		
Tipps zum Energiesparen	8		
3 Installation	9		
Wenn Sie den Kühlschrank versetzen möchten:	9		
Vor dem Einschalten	9		
Beleuchtung auswechseln	10		
Verpackungsmaterialien entsorgen ..	10		
Altgeräte entsorgen	10		
Aufstellung und Installation	10		

1 Ihr Kühlschrank / Gefrierschrank



- | | |
|----------------------------|--------------------------------|
| 1. Butter- & Käsefächer | 8. Tiefkühlbereich |
| 2. Eierhalter | 9. Chiller |
| 3. Verstellbare Türablagen | 10. Chiller Abdeckung und Glas |
| 4. Shelter Draht | 11. Bewegliche Ablagen |
| 5. Flaschenhalter | 12. Anzeigetafel |
| 6. Flaschenablage | |
| 7. Einstellbare Füß | |

! Abbildungen und Angaben in dieser Anleitung sind schematisch und können etwas von Ihrem Produkt abweichen. Falls Teile nicht zum Lieferumfang des erworbenen Gerätes zählen, gelten sie für andere Modelle.

2 Wichtige Sicherheitshinweise

Bitte lesen Sie die folgenden Hinweise aufmerksam durch. Bei Nichtbeachtung dieser Angaben kann es zu Verletzungen und Sachschäden kommen. In diesem Fall erlöschen auch sämtliche Garantie- und sonstigen Ansprüche.

Die reguläre Einsatzzeit Ihres Gerätes liegt bei 10 Jahren. In diesem Zeitraum halten wir Originalersatzteile bereit, damit Ihr Gerät stets einwandfrei funktioniert.

Bestimmungsgemäßer Einsatz

Dieses Produkt dient dem Einsatz in

- Innenräumen und geschlossenen Bereichen, wie z. B. Haushalten;
- geschlossenen Arbeitsbereichen, wie Läden und Büros;
- geschlossenen Unterkunftsbereichen, wie Bauernhöfen, Hotels und Pensionen.
- Das Gerät sollte nicht im Freien benutzt werden.

Allgemeine Hinweise zu Ihrer Sicherheit

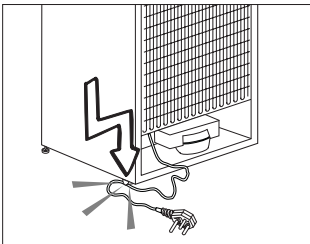
- Wenn Sie das Gerät entsorgen möchten, wenden Sie sich am besten an den autorisierten Kundendienst. Hier erhalten Sie notwendige Informationen und erfahren, welche Stellen für die Entsorgung zuständig sind.
- Bei Problemen und Fragen zum Gerät wenden Sie sich grundsätzlich an den autorisierten Kundendienst. Ziehen

Sie keine Dritten zu Rate, versuchen Sie nichts in Eigenregie, ohne den autorisierten Kundendienst davon in Kenntnis zu setzen.

- Bei Geräten mit Tiefkühlbereich: Der Verzehr von Speiseeis und Eiswürfeln unmittelbar nach der Entnahme aus dem Tiefkühlbereich ist nicht ratsam. (Dies kann zu Erfrierungen führen.)
- Bei Geräten mit Tiefkühlbereich: Bewahren Sie Getränke in Flaschen sowie Dosen niemals im Tiefkühlbereich auf. Diese platzen.
- Berühren Sie gefrorene Lebensmittel nicht mit der Hand; sie können festfrieren.
- Trennen Sie Ihren Kühlschrank vor dem Reinigen oder Abtauen vom Stromnetz.
- Verwenden Sie niemals Dampf- oder Sprühreiniger zum Reinigen und Abtauen Ihres Kühlschranks. Die Dämpfe oder Nebel können in Kontakt mit stromführenden Teilen geraten und Kurzschlüsse oder Stromschläge auslösen.
- Missbrauchen Sie niemals Teile Ihres Kühlschranks (z. B. Tür) als Befestigungen oder Kletterhilfen.
- Nutzen Sie keine elektrischen Geräte innerhalb des Kühlschranks.
- Achten Sie darauf, den Kühlkreislauf keinesfalls mit Bohr- oder Schneidwerkzeugen zu beschädigen. Das Kühlmittel kann herausspritzen, wenn die Gaskanäle des Verdunsters,

- Rohr- und Schlauchleitungen oder Oberflächenversiegelungen beschädigt werden. Dies kann zu Hautreizungen und Augenverletzungen führen.
- Decken Sie keinerlei Belüftungsöffnungen des Kühlschranks ab.
 - Elektrische Geräte dürfen nur von autorisierten Fachkräften repariert werden. Reparaturen durch weniger kompetente Personen können erhebliche Gefährdungen des Anwenders verursachen.
 - Sollten Fehler oder Probleme während der Wartung oder Reparaturarbeiten auftreten, so trennen Sie den Kühlschrank von der Stromversorgung, indem Sie die entsprechende Sicherung abschalten oder den Netzstecker ziehen.
 - Ziehen Sie niemals am Netzkabel – ziehen Sie direkt am Stecker.
 - Lagern Sie hochprozentige alkoholische Getränke gut verschlossen und aufrecht.
 - Bewahren Sie niemals Sprühdosen mit brennbaren und explosiven Substanzen im Kühlschrank auf.
 - Nutzen Sie keine mechanischen oder anderen Hilfsmittel, um das Gerät abzutauen – es sei denn, solche Hilfsmittel werden ausdrücklich vom Hersteller empfohlen.
 - Dieses Produkt darf nicht von Personen (einschließlich Kindern) mit eingeschränkten physischen, sensorischen oder geistigen Fähigkeiten bedient werden, sofern sie nicht durch eine Person, die für ihre Sicherheit verantwortlich ist, in der Bedienung des Produktes angeleitet werden.
 - Nehmen Sie einen beschädigten Kühlschrank nicht in Betrieb. Wenden Sie sich bei jeglichen Zweifeln an einen Kundendienstmitarbeiter.
 - Die elektrische Sicherheit des Gerätes ist nur dann gewährleistet, wenn das hausinterne Erdungssystem den zutreffenden Normen entspricht.
 - Setzen Sie das Gerät keinem Regen, Schnee, direktem Sonnenlicht oder Wind aus; dies kann die elektrische Sicherheit gefährden.
 - Wenden Sie sich zur Vermeidung von Gefahren an den autorisierten Kundendienst, falls das Netzkabel beschädigt ist.
 - Stecken Sie während der Installation niemals den Netzstecker ein. Andernfalls kann es zu schweren bis tödlichen Verletzungen kommen.
 - Dieser Kühlschrank dient nur der Aufbewahrung von Lebensmitteln. Für andere Zwecke sollte er nicht verwendet werden.
 - Das Etikett mit den technischen Daten befindet sich an der linken Innenwand des Kühlschranks.
 - Schließen Sie Ihren Kühlschrank niemals an energiesparende Systeme an; dies kann den Kühlschrank beschädigen.
 - Falls sich ein blaues Licht am Kühlschrank befindet, blicken Sie nicht längere Zeit mit bloßem Augen oder optischen Werkzeugen hinein.
 - Bei manuell gesteuerten Kühlschränken warten Sie mindestens 5 Minuten, bevor Sie den Kühlschrank nach einem Stromausfall wieder einschalten.

- Falls Sie das Gerät an einen anderen Besitzer weitergeben, vergessen Sie nicht, die Bedienungsanleitung ebenfalls auszuhändigen.
- Achten Sie darauf, dass das Netzkabel beim Transport des Kühlschranks nicht beschädigt wird. Übermäßiges Biegen des Kabels birgt Brandgefahr. Platzieren Sie keine schweren Gegenstände auf dem Netzkabel.
- Berühren Sie den Netzstecker niemals mit feuchten oder gar nassen Händen.



- Schließen Sie den Kühlschrank nicht an lose Steckdosen an.
- Sprühen Sie aus Sicherheitsgründen niemals Wasser auf die Innen- und Außenflächen des Gerätes.
- Sprühen Sie keine Substanzen mit brennbaren Gasen, wie z. B. Propangas, in die Nähe des Kühlschranks; andernfalls bestehen Brand- und Explosionsgefahr.
- Stellen Sie keine mit Wasser gefüllten Gegenstände auf den Kühlschrank; dies birgt Brand- und Stromschlaggefahr.
- Überladen Sie das Gerät nicht mit Lebensmitteln. Wenn das Gerät überladen ist, können beim Öffnen der Kühlschranktür Lebensmittel herausfallen und Verletzungen verursachen.
- Stellen Sie keinesfalls Gegenstände auf den Kühlschrank; sie könnten beim Öffnen oder Schließen der Kühlschranktür herunterfallen.
- Materialien wie beispielsweise Impfstoffe, wärmeempfindliche Arznei, wissenschaftliche Proben usw. sollten nicht im Kühlschrank aufbewahrt werden, da sie bei exakt festgelegten Temperaturen gelagert werden müssen.
- Trennen Sie den Kühlschrank vom Stromnetz, wenn er längere Zeit nicht benutzt wird. Ein mögliches Problem im Netzkabel kann einen Brand auslösen.
- Die Steckerkontakte sollten regelmäßig mit einem trockenen Tuch gereinigt werden; andernfalls besteht Brandgefahr.
- Wenn die höhenverstellbaren Füße nicht sicher auf dem Boden stehen, kann sich der Kühlschrank bewegen. Die angemessene Sicherung der höhenverstellbaren Füße am Boden kann eine Bewegung des Kühlschranks verhindern.
- Halten Sie den Kühlschrank beim Tragen nicht am Türgriff. Andernfalls könnte er abbrechen.
- Wenn Sie Ihr Produkt neben einem anderen Kühl- oder Gefrierschrank aufstellen möchten, sollte der Abstand zwischen beiden Geräten mindestens 8 cm betragen. Andernfalls können die benachbarten Seitenwände feucht werden.

Bei Geräten mit Wasserspender:

Der Wasserdruck sollte zwischen 1 und 8 bar liegen.

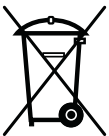
- Nur Trinkwasser verwenden.

Kinder – Sicherheit

- Bei abschließbaren Türen bewahren Sie den Schlüssel außerhalb der Reichweite von Kindern auf.
- Achten Sie darauf, dass Kinder nicht mit dem Produkt spielen.

Konformität mit der AEEE-Richtlinie zur Entsorgung von Altgeräten

Dieses Produkt enthält keine der in der vom türkischen Ministerium für Umwelt und Städteplanung ausgestellten „Richtlinie zur Steuerung von elektrischen und elektronischen Altgeräten“ beschriebenen gefährlichen oder verbotenen Materialien. Übereinstimmung mit AEEE-Richtlinie.



Dieses Gerät wurde mit hochwertigen Materialien hergestellt, die wiederverwendet und recycelt werden können. Entsorgen Sie das Gerät am Ende seiner Einsatzzeit

daher nicht mit dem regulären Hausmüll. Bringen Sie das Gerät zu einer Sammelstelle zum Recycling von elektrischen und elektronischen Geräten. Ihre Stadtverwaltung informiert Sie gerne über Sammelstellen in Ihrer Nähe. Durch das Recycling von Altgeräten leisten Sie einen wichtigen Beitrag zum Umweltschutz und zum Erhalt natürlicher Ressourcen. Zur Sicherheit von Kindern: Schneiden Sie vor der Entsorgung des Produktes das

Netzkabel ab und setzen Sie den Sperrmechanismus der Tür außer Kraft (sofern vorhanden).

Hinweise zur Verpackung

Die Verpackungsmaterialien des Gerätes wurden gemäß nationalen Umweltschutzbestimmungen aus recyclingfähigen Materialien hergestellt. Entsorgen Sie Verpackungsmaterialien nicht mit dem regulären Hausmüll oder anderen Abfällen. Bringen Sie Verpackungsmaterialien zu geeigneten Sammelstellen; Ihre Stadtverwaltung berät Sie gern.

Nicht vergessen!

Recycelte Materialien leisten einen wichtigen Beitrag zu einer schönen und gesunden Umwelt.

Wenn Sie zur Wiederverwertung von Verpackungsmaterialien beitragen möchten, informieren Sie sich bei Ihren Umweltschutzbehörden oder der Stadtverwaltung, wo entsprechende Sammelstellen zu finden sind.

HCA-Warnung

Falls das Kühlsystem Ihres Produktes R600a enthält:

Dieses Gas ist leicht entflammbar. Achten Sie also darauf, Kühlkreislauf und Leitungen während Betrieb und Transport nicht zu beschädigen. Bei Beschädigungen halten Sie das Produkt von potenziellen Zündquellen (z. B. offenen Flammen) fern und sorgen für eine gute Belüftung des Raumes, in dem das Gerät aufgestellt wurde.

Ignorieren Sie diese Warnung, falls das Kühlsystem Ihres Produktes R134a enthält.

Die Art des im Gerät eingesetzten Gases wird auf dem Typenschild an der linken Innenwand des Kühlschranks angegeben.

Entsorgen Sie das Produkt keinesfalls durch Verbrennen.

Tipps zum Energiesparen

- Halten Sie die Kühlschrantüren nur möglichst kurz geöffnet.
- Geben Sie keine warmen Speisen oder Getränke in den Kühlschrank.
- Überladen Sie den Kühlschrank nicht; die Luft muss frei zirkulieren können.
- Stellen Sie den Kühlschrank nicht im direkten Sonnenlicht oder in der Nähe von Wärmequellen wie Öfen, Spülmaschinen oder Heizkörpern auf. Halten Sie den Kühlschrank mindestens 30 cm von Wärmequellen und mindestens 5 cm von elektrischen Öfen entfernt.
- Achten Sie darauf, Ihre Lebensmittel in verschlossenen Behältern aufzubewahren.
- Bei Geräten mit Tiefkühlbereich: Sie können noch mehr Lebensmittel einlagern, wenn Sie die Ablage oder Schublade aus dem Tiefkühlbereich herausnehmen. Der für Ihren Kühlschrank angegebene Energieverbrauch wurde nach dem Entfernen der Ablage oder Schublade und bei maximaler Beladung bestimmt. Ansonsten ist es Ihnen freigestellt, die Ablage oder Schublade zu verwenden.
- Das Auftauen von gefrorenen Lebensmitteln im Kühlbereich ist energiesparend und bewahrt die Qualität der Lebensmittel.

3 Installation

⚠ Der Hersteller haftet nicht, falls die Angaben in dieser Anleitung nicht berücksichtigt werden.

Wenn Sie den Kühlschrank versetzen möchten:

1. Ziehen Sie zuvor den Netzstecker. Der Kühlschrank sollte geleert und gesäubert werden, bevor Sie ihn transportieren oder versetzen.
2. Sichern Sie die beweglichen Teile im Inneren (z. B. Ablagen, Zubehör, Gemüsefach etc.) vor dem Verpacken mit Klebeband, schützen Sie solche Teile vor Stößen. Umwickeln Sie die Verpackung mit kräftigem Klebeband oder stabilen Schnüren, beachten Sie die Transporthinweise auf der Verpackung.
3. Originalverpackung und Schaumstoffmaterialien sollten zum zukünftigen Transport des Gerätes aufbewahrt werden.

Vor dem Einschalten

Beachten Sie Folgendes, bevor Sie Ihren Kühlschrank benutzen:

1. Bringen Sie die beiden Kunststoffkeile wie nachstehend abgebildet an. Die Kunststoffkeile sorgen für den nötigen Abstand zwischen Kühlschrank und Wand, damit die Luft frei zirkulieren kann. (Die Abbildung dient lediglich zur Orientierung und kann daher etwas von Ihrem Gerät abweichen.)
2. Reinigen Sie das Innere des Kühlschranks wie im Abschnitt „Wartung und Reinigung“ beschrieben.

3. Schließen Sie den Netzstecker des Kühlschranks an eine Steckdose an. Beim Öffnen der Tür leuchtet die Innenbeleuchtung auf.
4. Beim Anspringen des Kompressors sind Geräusche zu hören. Die Flüssigkeiten und Gase im Kühlsystem können auch leichte Geräusche erzeugen, wenn der Kompressor nicht läuft. Dies ist völlig normal.
5. Die Vorderkanten des Kühlgerätes können sich warm anfühlen. Dies ist normal. Diese Bereiche wärmen sich etwas auf, damit sich kein Kondenswasser bildet.

Elektrischer Anschluss

Schließen Sie das Gerät an eine geerdete (Schuko-) Steckdose an. Diese Steckdose muss mit einer passenden Sicherung abgesichert werden.

Wichtig:

- Der Anschluss muss gemäß lokaler Vorschriften erfolgen.
- Der Netzstecker muss nach der Installation frei zugänglich bleiben.
- Die elektrische Sicherheit des Gerätes ist nur dann gewährleistet, wenn das hausinterne Erdungssystem den zutreffenden Normen entspricht.
- Die auf dem Typenschild an der linken Innenwand des Gerätes angegebene Spannung muss mit Ihrer Netzspannung übereinstimmen.
- **Zum Anschluss dürfen keine Verlängerungskabel oder Mehrfachsteckdosen verwendet werden.**

⚠ Ein beschädigtes Netzkabel muss unverzüglich durch einen qualifizierten Elektriker ausgetauscht werden.

⚠ Das Gerät darf vor Abschluss der Reparaturen nicht mehr betrieben werden! Es besteht Stromschlaggefahr!

Verpackungsmaterialien entsorgen

Das Verpackungsmaterial kann eine Gefahr für Kinder darstellen. Halten Sie Verpackungsmaterialien von Kindern fern oder entsorgen Sie das Verpackungsmaterial gemäß gültigen Entsorgungsbestimmungen. Entsorgen Sie das Verpackungsmaterial über geeignete Sammelstellen (Ihre Stadtverwaltung informiert Sie gerne), nicht über den regulären Hausmüll.

Die Verpackung Ihres Gerätes wurde aus recyclingfähigen Materialien hergestellt.

Altgeräte entsorgen

Entsorgen Sie Altgeräte auf umweltfreundliche Weise.

- Bei Fragen zur richtigen Entsorgung wenden Sie sich bitte an Ihren Händler, an eine Sammelstelle oder an Ihre Stadtverwaltung.

Bevor Sie das Gerät entsorgen, schneiden Sie den Netzstecker ab und machen die Türverschlüsse (sofern vorhanden) unbrauchbar, damit Kinder nicht in Gefahr gebracht werden.

Aufstellung und Installation

⚠ Falls die Tür des Raumes, in dem der Kühlschrank aufgestellt werden soll, nicht breit genug ist, wenden Sie sich an den autorisierten Kundendienst, lassen die Kühlschranktüren demontieren und befördern das Gerät seitlich durch die Tür.

1. Stellen Sie Ihren Kühlschrank an einer gut erreichbaren Stelle auf.
2. Platzieren Sie den Kühlschrank nicht in der Nähe von Wärmequellen oder dort, wo er Feuchtigkeit oder direktem Sonnenlicht ausgesetzt ist.
3. Damit das Gerät richtig arbeiten kann, müssen Sie ausreichend Platz um das Gerät herum freilassen, damit eine ordentliche Belüftung gewährleistet ist. Wenn Sie den Kühlschrank in einer Nische aufstellen, müssen Sie einen Abstand von mindestens 5 cm zur Decke und 5 cm zu den Wänden einhalten. Stellen Sie das Gerät nicht auf Materialien wie Teppichen oder Teppichböden auf.
4. Stellen Sie Ihren Kühlschrank auf einem ebenen Untergrund auf, damit er nicht wackelt.

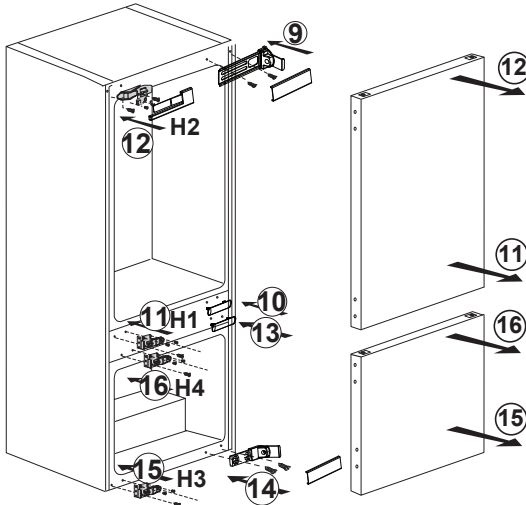
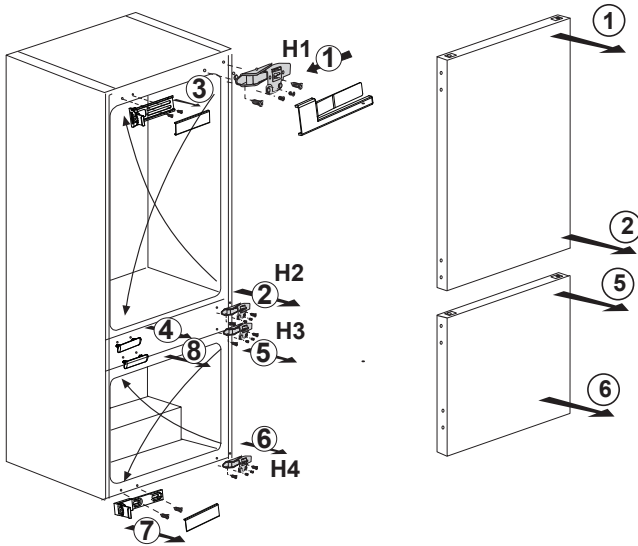
Beleuchtung auswechseln

Die Innenbeleuchtung Ihres Kühlschranks sollte ausschließlich vom autorisierten Kundendienst ausgetauscht werden.

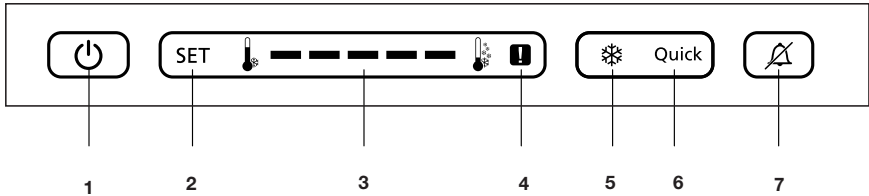
4 Vorbereitung

- Ihr Kühlschrank / Gefrierschrank sollte mindestens 30 cm von Hitzequellen wie Kochstellen, Öfen, Heizungen, Herden und ähnlichen Einrichtungen aufgestellt werden. Halten Sie mindestens 5 cm Abstand zu Elektroöfen ein, vermeiden Sie die Aufstellung im direkten Sonnenlicht.
- Die Zimmertemperatur des Raumes, in dem der Kühlschrank / Gefrierschrank aufgestellt wird, sollte mindestens 10 °C betragen. Im Hinblick auf den Wirkungsgrad ist der Betrieb des Kühlschrank / Gefrierschranks bei geringerer Umgebungstemperatur nicht ratsam.
- Sorgen Sie dafür, dass das Innere Ihres Kühlschrank / Gefrierschranks gründlich gereinigt wird.
- Falls zwei Kühlschränke nebeneinander platziert werden sollen, achten Sie darauf, dass sie mindestens 2 cm voneinander entfernt aufgestellt werden.
- Wenn Sie den Kühlschrank / Gefrierschrank zum ersten Mal in Betrieb nehmen, halten Sie sich bitte an die folgenden Anweisungen für die ersten sechs Betriebsstunden.
- Die Kühlschrank / Gefrierschrantür sollte nicht zu häufig geöffnet werden.
- Der Kühlschrank / Gefrierschrank muss zunächst vollständig leer arbeiten.
- Ziehen Sie nicht den Netzstecker. Falls der Strom ausfallen sollte, beachten Sie die Warnhinweise im Abschnitt „Empfehlungen zur Problemlösung“.
- Originalverpackung und Schaumstoffmaterialien sollten zum zukünftigen Transport des Gerätes aufbewahrt werden.
- Wenn Sie die Ablagen oder Schubladen aus dem Tiefkühlbereich herausnehmen, können Sie das Volumen des Tiefkühlbereiches vollständig nutzen. Die angegebenen Energieverbrauchswerte Ihres Kühlschrank/ Gefrierschranks wurden unter maximaler Beladung bei rausgenommenen Ablagen oder Schubladen ermittelt. Ansonsten ist es Ihnen völlig freigestellt, wenn verfügbar der unteren Schublade die Ablagen oder Schubladen zu verwenden.
- Achten Sie darauf, dass das Tiefkühlflütergitter nicht durch Lebensmittel blockiert wird. Damit das Fach durch ausreichenden Luftstrom richtig gekühlt werden kann, muss grundsätzlich ein Freiraum von mindestens 3 cm vor dem Lüftergitter verbleiben.

Türanschlag umkehren



5 So bedienen Sie Ihren Kühlschrank / Gefrierschrank



1- Ein/Aus-Funktion

Drücken Sie die Ein-/Austaste zum Ein- oder Ausschalten des Kühlschranks / Gefrierschranks 3 Sekunden.

2- Kühltemperatur einstellen

Mit dieser Funktion geben Sie die Temperatur des Kühlbereichs vor.

Durch mehrmaliges Drücken dieser Taste stellen Sie die Kühlbereichtemperatur auf - (am wärmsten), --, ---, ----, ----- (am kältesten) ein.

3 -Kühlbereich temperature instellungsanzeige

Zeigt die für den Kühlbereich eingestellte Temperatur an. Die Einstellungen sind - (am wärmsten), --, ---, ----, ----- (am kältesten)

4- Hochtemperatur- / Fehler-Warnanzeige

Diese Leuchte signalisiert zu hohe Innentemperaturen und sonstige Fehler.

5- Schnellkühlanzeige

Dieses Symbol leuchtet bei aktiver Schnellkühlen-Funktion auf.

6- Schnellkühlen

Wenn Sie die Schnellkühltaste drücken, wird die Innentemperatur über den voreingestellten Wert hinaus weiter abgesenkt.

Diese Funktion dient dazu, Lebensmittel, die im Kühlbereich aufbewahrt werden, schnell herunterzukühlen.

Wenn Sie große Mengen Lebensmittel kühlen möchten, sollten Sie diese Funktion vor dem Einlagern der Lebensmittel einschalten. Die Schnellkühlanzeige leuchtet bei aktiver Schnellkühlfunktion. Zum Abbrechen dieser Funktion drücken Sie die Schnellkühltaste noch einmal. Die Schnellkühlanzeige erlischt, die normalen Einstellungen werden wiederhergestellt.

Sofern Sie diese Funktion nicht vorzeitig abschalten, wird das Schnellkühlen beendet, sobald die nötige Temperatur erreicht ist. Nach 2 Stunden schaltet sich diese Funktion automatisch ab. Diese Funktion wird nach einem Stromausfall nicht automatisch wieder eingeschaltet.

7- Alarm aus

Wenn die Kühlschrank / Gefrierschranktür 2 Minuten geöffnet ist oder ein Sensorfehler vorliegt, ertönt ein akustischer Alarm. Der Alarm kann mit der „Alarm aus“-Taste abgeschaltet werden.

Der Sensorfehleralarm erklingt erst bei einem Stromversorgungsfehler. Wenn Sie die Tür schließen und wieder öffnen, wird der „Tür-offen-Alarm“ nach weiteren 2 Minuten erneut aktiviert.

Tür-offen-Warnung

Ein Signal ertönt, wenn die Tür des Kühlschrank / Gefrierschranks oder des Tiefkühlfachs für eine bestimmte Zeit geöffnet bleibt. Dieses Tonsignal verstummt, sobald Sie eine beliebige Taste drücken oder die Tür wieder schließen.

6 **Wartung und Reinigung**

- ⚠ Verwenden Sie zu Reinigungszwecken niemals Benzin oder ähnliche Substanzen.
- ⚠ Wir empfehlen, vor dem Reinigen den Netzstecker zu ziehen.
- ℹ Verwenden Sie zur Reinigung niemals scharfe Gegenstände, Seife, Haushaltsreiniger, Waschmittel oder Wachspolituren.
- ℹ Reinigen Sie das Gehäuse des Gerätes mit lauwarmem Wasser, wischen Sie die Flächen danach trocken.
- ⚠ Zur Reinigung des Innenraums verwenden Sie ein feuchtes Tuch, das Sie in eine Lösung aus 1 Teelöffel Natron und einem halben Liter Wasser getaucht und ausgewrungen haben. Nach dem Reinigen wischen Sie den Innenraum trocken.
- ⚠ Achten Sie darauf, dass kein Wasser in das Lampengehäuse oder andere elektrische Komponenten eindringt.
- ⚠ Wenn Ihr Kühlgerät längere Zeit nicht benutzt wird, ziehen Sie den Netzstecker, nehmen alle Lebensmittel heraus, reinigen das Gerät und lassen die Türe geöffnet.
- ℹ Kontrollieren Sie die Türdichtungen regelmäßig, um sicherzustellen, dass diese sauber und frei von Speiseresten sind.

- ℹ Zum Entfernen einer Türablage räumen Sie sämtliche Gegenständen aus der Ablage und schieben diese dann nach oben heraus.
- ℹ Verwenden Sie zur Reinigung der Außenflächen und Chrombeschichteten Produktteile niemals Reinigungsmittel oder Wasser, die/das Chlor enthält. Chlor lässt Metalloberflächen korrodieren.

Schutz der Kunststoffflächen

- ℹ Geben Sie keine Öle oder stark fetthaltige Speisen offen in Ihren Kühlschrank / Gefrierschrank – dadurch können die Kunststoffflächen angegriffen werden. Sollten die Plastikoberflächen einmal mit Öl in Berührung kommen, so reinigen Sie die entsprechend Stellen umgehend mit warmem Wasser.

7 Empfehlungen zur Problemlösung

Bitte arbeiten Sie diese Liste durch, bevor Sie den Kundendienst anrufen. Das kann Ihnen Zeit und Geld sparen. In der Liste finden Sie häufiger auftretende Probleme, die nicht auf Verarbeitungs- oder Materialfehler zurückzuführen sind. Nicht alle hier beschriebenen Funktionen sind bei jedem Modell verfügbar.

Der Kühlschrank / Gefrierschrank arbeitet nicht.

- Ist der Kühlschrank / Gefrierschrank richtig angeschlossen? Stecken Sie den Netzstecker in die Steckdose.
- Ist die entsprechende Haussicherung herausgesprungen oder durchgebrannt? Überprüfen Sie die Sicherung.

Kondensation an den Seitenwänden des Kühlbereiches. (Multizone, Kühlkontrolle und FlexiZone)

- Sehr geringe Umgebungstemperaturen. Häufiges Öffnen und Schließen der Tür. Sehr feuchte Umgebung. Offene Lagerung von feuchten Lebensmitteln. Tür nicht richtig geschlossen. Kühlere Thermostateinstellung wählen.
- Türen kürzer geöffnet halten oder seltener öffnen.
- Offene Behälter abdecken oder mit einem geeigneten Material einwickeln.
- Kondensation mit einem trockenen Tuch entfernen und überprüfen, ob diese erneut auftritt.

Der Kompressor läuft nicht

- Eine Schutzschaltung stoppt den Kompressor bei kurzzeitigen Unterbrechungen der Stromversorgung und wenn das Gerät zu oft und schnell ein- und ausgeschaltet wird, da der Druck des Kühlmittels eine Weile lang ausgeglichen werden muss. Ihr Kühlschrank / Gefrierschrank beginnt nach etwa sechs Minuten wieder zu arbeiten. Bitte wenden Sie sich an den Kundendienst, falls Ihr Kühlschrank / Gefrierschrank nach Ablauf dieser Zeit nicht wieder zu arbeiten beginnt.
- Der Kühlschrank / Gefrierschrank taut ab. Dies ist bei einem vollautomatisch abtauenden Kühlschrank / Gefrierschrank völlig normal. Das Gerät taut von Zeit zu Zeit ab.
- Der Netzstecker ist nicht eingesteckt. Überprüfen Sie, ob das Gerät richtig angeschlossen ist.
- Stimmen die Temperatureinstellungen?
- Eventuell ist der Strom ausgefallen.

Der Kühlschrank / Gefrierschrank arbeitet sehr intensiv oder über eine sehr lange Zeit.

- Ihr neues Gerät ist vielleicht etwas breiter als sein Vorgänger. Dies ist völlig normal. Große Kühlgeräte arbeiten oft längere Zeit.
- Die Umgebungstemperatur ist eventuell sehr hoch. Dies ist völlig normal.
- Das Kühlgerät wurde möglicherweise erst vor kurzem in Betrieb genommen oder mit Lebensmitteln gefüllt. Es kann einige Stunden länger dauern, bis der Kühlschrank / Gefrierschrank seine Arbeitstemperatur erreicht hat.
- Kurz zuvor wurden größere Mengen warmer Speisen im Kühlschrank / Gefrierschrank eingelagert. Heiße Speisen führen dazu, dass der Kühlschrank / Gefrierschrank etwas länger arbeiten muss, bis die geeignete Temperatur zur sicheren Lagerung erreicht ist.
- Türen wurden häufig geöffnet oder längere Zeit nicht richtig geschlossen. Der Kühlschrank / Gefrierschrank muss länger arbeiten, weil warme Luft in den Innenraum eingedrungen ist. Öffnen Sie die Türen möglichst selten.
- Die Tür des Kühl- oder Tiefkühlbereichs war nur angelehnt. Vergewissern Sie sich, dass die Türen richtig geschlossen wurden.
- Die Kühlschrank / Gefrierschranktemperatur ist sehr niedrig eingestellt. Stellen Sie die Kühlschrank / Gefrierschranktemperatur höher ein und warten Sie, bis die gewünschte Temperatur erreicht ist.
- Die Türdichtungen von Kühl- oder Gefrierbereich sind verschmutzt, verschlissen, beschädigt oder sitzen nicht richtig. Reinigen oder ersetzen Sie die Dichtung. Beschädigte oder defekte Dichtungen führen dazu, dass der Kühlschrank / Gefrierschrank länger arbeiten muss, um die Temperatur halten zu können.

Die Temperatur im Tiefkühlbereich ist sehr niedrig, während die Temperatur im Kühlbereich normal ist.

- Die Tiefkühltemperatur ist sehr niedrig eingestellt. Stellen Sie die Gefrierfachtemperatur wärmer ein und prüfen Sie.

Die Temperatur im Kühlbereich ist sehr niedrig, während die Temperatur im Tiefkühlbereich normal ist.

- Die Kühltemperatur ist eventuell sehr niedrig eingestellt. Stellen Sie die Kühlbereichtemperatur wärmer ein und prüfen Sie.

Im Kühlbereich gelagerte Lebensmittel frieren ein.

- Die Kühltemperatur ist eventuell sehr niedrig eingestellt. Stellen Sie die Kühlbereichtemperatur wärmer ein und prüfen Sie.

Die Temperatur im Kühl- oder Tiefkühlbereich ist sehr hoch.

- Die Temperatur des Kühlbereichs ist eventuell sehr hoch eingestellt. Die Einstellung des Kühlbereichs beeinflusst die Temperatur im Tiefkühlbereich. Stellen Sie den Kühl- oder Tiefkühlbereich auf die gewünschte Temperatur ein.
- Türen wurden häufig geöffnet oder längere Zeit nicht richtig geschlossen; weniger häufig öffnen.
- Die Tür wurde eventuell nicht richtig geschlossen; Tür richtig schließen.
- Kurz zuvor wurden größere Mengen warmer Speisen im Kühlschrank / Gefrierschrank eingelagert. Warten Sie, bis der Kühl- oder Tiefkühlbereich die gewünschte Temperatur erreicht.
- Der Kühlschrank / Gefrierschrank war kurz zuvor von der Stromversorgung getrennt. Ihr Kühlschrank / Gefrierschrank braucht einige Zeit, um sich auf die gewünschte Temperatur abzukühlen.

Das Betriebsgeräusch nimmt zu, wenn der Kühlschrank / Gefrierschrank arbeitet.

- Das Leistungsverhalten des Kühlgerätes kann sich je nach Umgebungstemperatur ändern. Dies ist völlig normal und keine Fehlfunktion.

Vibrationen oder Betriebsgeräusche.

- Der Boden ist nicht eben oder nicht fest. Der Kühlschrank / Gefrierschrank wackelt, wenn er etwas bewegt wird. Achten Sie darauf, dass der Boden eben ist und das Gewicht des Kühlschrank / Gefrierschranks problemlos tragen kann.
- Das Geräusch kann durch auf dem Kühlschrank / Gefrierschrank abgestellte Gegenstände entstehen. Nehmen Sie abgestellte Gegenstände vom Kühlschrank / Gefrierschrank herunter.

Fließ- oder Spritzgeräusche sind zu hören.

- Aus technischen Gründen bewegen sich Flüssigkeiten und Gase innerhalb des Gerätes. Dies ist völlig normal und keine Fehlfunktion.

Windähnliche Geräusche sind zu hören.

- Zum gleichmäßigen Kühlen werden Ventilatoren eingesetzt. Dies ist völlig normal und keine Fehlfunktion.

Kondensation an den Kühlschrank / Gefrierschranksinnenflächen.

- Bei heißen und feuchten Wetterlagen tritt verstärkt Eisbildung und Kondensation auf. Dies ist völlig normal und keine Fehlfunktion.
- Die Türen wurden eventuell nicht richtig geschlossen; Türen komplett schließen.
- Türen wurden häufig geöffnet oder längere Zeit nicht richtig geschlossen; weniger häufig öffnen.

Feuchtigkeit sammelt sich an der Außenseite des Kühlschrank / Gefrierschranks oder an den Türen.

- Eventuell herrscht hohe Luftfeuchtigkeit; dies ist je nach Wetterlage völlig normal. Die Kondensation verschwindet, sobald die Feuchtigkeit abnimmt.

Unangenehmer Geruch im Kühlschrank / Gefrierschranksinnenraum.

- Das Innere des Kühlschrank / Gefrierschranks muss gereinigt werden. Reinigen Sie das Innere des Kühlschrank / Gefrierschranks mit einem Schwamm, den Sie mit lauwarmem oder kohlenstoffhaltigem Wasser angefeuchtet haben.
- Bestimmte Behälter oder Verpackungsmaterialien verursachen den Geruch. Verwenden Sie andere Behälter oder Verpackungsmaterial einer anderen Marke.

Die Tür wurde nicht richtig geschlossen.

- Lebensmittelpackungen verhindern eventuell das Schließen der Tür. Entfernen Sie die Verpackungen, welche die Tür blockieren.
- Der Kühlschrank / Gefrierschrank steht nicht mit sämtlichen Füßen fest auf dem Boden und schaukelt bei kleinen Bewegungen. Stellen Sie die Höheneinstellschrauben ein.
- Der Boden ist nicht eben oder nicht stabil genug. Achten Sie darauf, dass der Boden eben ist und das Gewicht des Kühlschrank / Gefrierschranks problemlos tragen kann.

Das Gemüsefach klemmt.

- Die Lebensmittel berühren eventuell den oberen Teil der Schublade. Ordnen Sie die Lebensmittel in der Schublade anders an.

Veillez commencer par lire ce manuel d'utilisation!

Cher client,

Nous espérons que votre produit, qui a été fabriqué dans des usines modernes et vérifié au terme des procédures de contrôle de qualité les plus méticuleuses, vous donnera entière satisfaction.

Veillez donc lire attentivement l'intégralité de ce manuel avant de commencer à utiliser le produit et conservez-le manuel comme référence. Si vous remettez cet appareil à quelqu'un d'autre, remettez-lui également le manuel d'utilisation.

Le présent manuel vous aidera à utiliser votre produit en toute sécurité et efficacement.

- Lisez le manuel avant d'installer et de faire fonctionner votre produit.
- Veillez à lire les instructions de sécurité.
- ce manuel dans un endroit facile d'accès car vous pourriez en avoir besoin ultérieurement.
- Lisez également la documentation fournie avec le produit.

N'oubliez pas que le manuel d'utilisation est également valable pour plusieurs autres modèles. Les différences entre les différents modèles seront identifiées dans le manuel.

Explication des symboles

Les symboles ci-dessous sont utilisés dans le manuel d'utilisation:

 Informations importantes ou astuces.

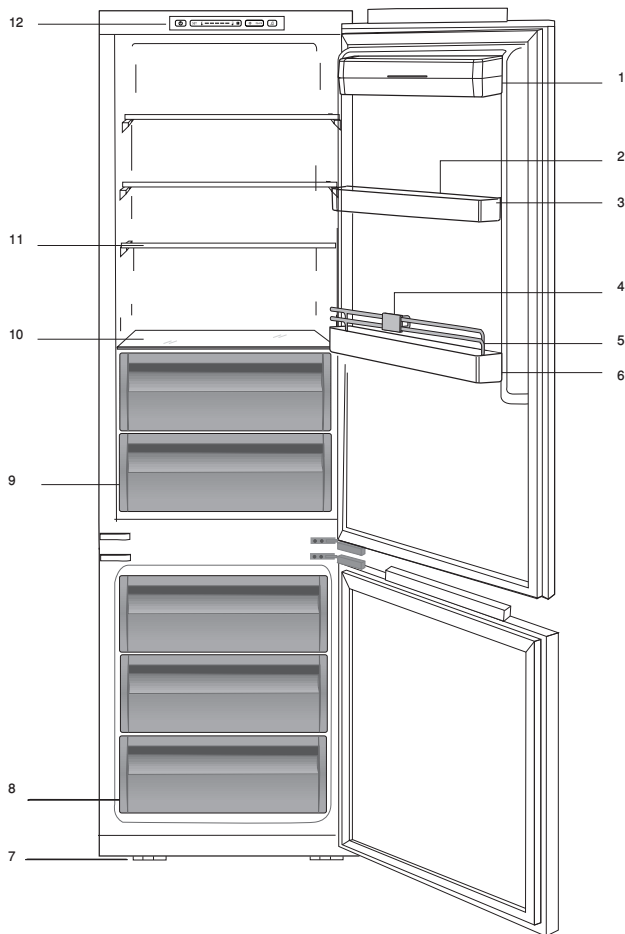
 Avertissement relatif aux situations dangereuses pour la vie et la propriété.

 Avertissement relatif à la tension électrique.

TABLE DES MATIÈRES

1 Votre congélateur/ réfrigérateur	3	4 Préparation	13
2 Précautions de sécurité importantes	4	5 Utilisation de votre réfrigérateur	14
Utilisation préconisée.....	4	6 Entretien et nettoyage	16
Sécurité générale.....	4	Protection des surfaces en plastique.	16
Pour les appareils dotés d'une fontaine à eau ;	6	7 Dépannage	17
Sécurité enfants.....	7		
Conformité avec la réglementation DEEE et mise au rebut des déchets...7			
Informations relatives à l'emballage....7			
Avertissement HCA	7		
Mesures d'économie d'énergie.....	8		
3 Installation	9		
Éléments à prendre en considération lors du déménagement de votre réfrigérateur	9		
Avant de mettre votre réfrigérateur en marche,	9		
Branchement électrique.....	10		
Mise au rebut de l'emballage	10		
Mise au rebut de votre ancien réfrigérateur	10		
Disposition et Installation	10		
Remplacement de la lampe	11		
Avertissement - Porte ouverte.....	11		

1 Votre congélateur/réfrigérateur



- | | |
|-------------------------------------|---|
| 1. Sections pour Beurre et Fromages | 8. Congélateur |
| 2. Support à œufs | 9. Bac à légumes |
| 3. Étagères réglables | 10. Couvercle du bac à légumes |
| 4. Support métallique | 11. Étagères |
| 5. Range-bouteilles | 12. Bandeau indicateur de commande électronique |
| 6. Clayette range-bouteilles | |
| 7. Pieds réglables avant | |

I Les illustrations présentées dans cette notice d'utilisation sont schématiques et peuvent ne pas correspondre exactement à votre produit. Si des pièces présentées ne sont pas comprises dans le produit que vous avez acheté, elles sont valables pour d'autres modèles.

2 Précautions de sécurité importantes

Veillez examiner les informations suivantes : Le non respect de ces consignes peut entraîner des blessures ou dommages matériels. Sinon, tout engagement lié à la garantie et à la fiabilité du produit devient invalide.

Votre appareil a une durée de vie de 10 ans. Pendant cette période, les pièces de rechange d'origine seront disponibles afin que l'appareil fonctionne comme il se doit.

Utilisation préconisée

Ce produit est prévu pour une utilisation

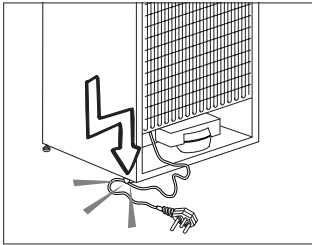
- en intérieur et dans des zones fermées telles que les maisons ;
 - dans les environnements de travail fermés, tels que les magasins et les bureaux ;
 - dans les lieux d'hébergement fermés, tels que les fermes, hôtels, pensions.
 - Il ne doit pas être utilisé en extérieur.
- Pour les produits équipés d'un compartiment congélateur : ne mangez pas de cônes de crème glacée ou des glaçons immédiatement après les avoir sortis du compartiment de congélation ! (Cela pourrait provoquer des engelures dans votre bouche).
 - Pour les produits équipés d'un compartiment congélateur : ne placez pas de boissons en bouteille ou en cannette dans le compartiment de congélation. Cela peut entraîner leur éclatement.
 - Ne touchez pas des produits congelés avec les mains, ils pourraient se coller à celles-ci.
 - Débranchez votre réfrigérateur avant de le nettoyer ou de le dégivrer.
 - La vapeur et des matériaux de nettoyage pulvérisés ne doivent jamais être utilisés pour les processus de nettoyage ou de dégivrage de votre réfrigérateur. La vapeur pourrait pénétrer dans les pièces électriques et provoquer des courts-circuits ou des électrocutions.

Sécurité générale

- Avant de vous débarrasser de votre appareil, veuillez consulter les autorités locales ou votre revendeur pour connaître le mode opératoire et les organismes de collecte agréés.
- Consultez le service après-vente agréé concernant toutes questions ou problèmes relatifs au réfrigérateur. N'intervenez pas ou ne laissez personne intervenir sur le réfrigérateur sans le communiquer au service après-vente agréé.
- Ne jamais utiliser les pièces de votre réfrigérateur telles que la porte, comme un support ou une marche.
- N'utilisez pas d'appareils électriques à l'intérieur du réfrigérateur.
- N'endommagez pas les pièces où circule le liquide réfrigérant avec des outils de forage ou coupants. Le liquide réfrigérant qui pourrait s'échapper si les canalisations de gaz de l'évaporateur, les rallonges de tuyau ou les revêtements de surface étaient percés, cela pourrait irriter la peau et provoquer des blessures aux yeux.

- Ne pas couvrir ou obstruer les orifices de ventilation du réfrigérateur.
- Les appareils électriques peuvent être réparés seulement par des personnes autorisées. Les réparations réalisées par des personnes ne présentant pas les compétences requises peuvent présenter un risque pour l'utilisateur.
- En cas de dysfonctionnement ou lors d'opérations d'entretien ou de réparation, débranchez l'alimentation électrique du réfrigérateur soit en désactivant le fusible correspondant, soit en débranchant l'appareil.
- Ne tirez pas sur le câble lorsque vous débranchez la prise.
- Placez les boissons alcoolisées verticalement, dans des récipients convenablement fermés.
- Ne conservez jamais des aérosols contenant des substances inflammables et explosives dans le réfrigérateur.
- N'utilisez pas d'outils mécaniques ou autres dispositifs pour accélérer le processus de décongélation autres que ceux qui sont recommandés par le fabricant.
- Ce produit n'est pas conçu pour être utilisé par des personnes (enfants compris) souffrant de déficience physique, sensorielle, mentale, ou inexpérimentées, à moins d'avoir obtenu une autorisation auprès des personnes responsables de leur sécurité.
- Ne faites pas fonctionner un réfrigérateur endommagé. Consultez le service agréé en cas de problème.
- La sécurité électrique du réfrigérateur n'est assurée que si le système de mise à la terre de votre domicile est conforme aux normes en vigueur.
- L'exposition du produit à la pluie, la neige, au soleil ou au vent présente des risques concernant la sécurité électrique.
- Contactez le service agréé quand un câble d'alimentation est endommagé pour éviter tout danger.
- Ne branchez jamais le réfrigérateur à la prise murale au cours de l'installation. Vous vous exposeriez à un risque de mort ou à de blessures graves.
- Ce réfrigérateur est conçu seulement pour conserver des aliments. Par conséquent, il ne doit pas être utilisé à d'autres fins.
- L'étiquette avec les caractéristiques techniques est située sur la paroi gauche à l'intérieur du réfrigérateur.
- Ne branchez jamais votre réfrigérateur à des systèmes d'économie d'énergie, cela peut l'endommager.
- S'il y a une lumière bleue sur le réfrigérateur, ne la regardez ni avec vos yeux nus, ni avec des outils optiques pendant longtemps.
- Pour les réfrigérateurs contrôlés manuellement, attendez au moins 5 minutes pour allumer le réfrigérateur après une coupure de courant.
- Si cet appareil venait à changer de propriétaire, n'oubliez pas de remettre la présente notice d'utilisation au nouveau bénéficiaire.

- Évitez d'endommager le câble d'alimentation quand vous transportez le réfrigérateur. Tordre le câble peut entraîner un incendie. Ne placez jamais d'objets lourds sur le câble d'alimentation.
- Évitez de toucher à la prise avec des mains mouillées au moment de brancher l'appareil.



- Évitez de brancher le réfrigérateur lorsque la prise de courant électrique a lâché.
- Pour des raisons de sécurité, évitez de pulvériser directement de l'eau sur les parties externes et internes du réfrigérateur.
- Ne pulvérisez pas de substances contenant des gaz inflammables comme du propane près du réfrigérateur pour éviter tout risque d'incendie et d'explosion.
- Ne placez jamais de récipients contenant de l'eau sur votre réfrigérateur, ils pourraient causer des chocs électriques ou un incendie.
- Évitez de surcharger le réfrigérateur avec une quantité excessive d'aliments. S'il est surchargé, les aliments peuvent tomber, vous blesser et endommager le réfrigérateur quand vous ouvrez la porte.

- Ne placez jamais d'objets au-dessus du réfrigérateur, ils pourraient tomber quand vous ouvrez ou fermez la porte du réfrigérateur.
- Les produits qui nécessitent un contrôle de température précis (vaccin, médicament sensible à la chaleur, matériels scientifiques, etc.) ne doivent pas être conservés dans le réfrigérateur.
- Si le réfrigérateur n'est pas utilisé pendant longtemps, il doit être débranché. Un problème avec le câble d'alimentation pourrait causer un incendie.
- Le bout de la prise électrique doit être nettoyé régulièrement à l'aide d'un chiffon sec, sinon il peut provoquer un incendie.
- Le réfrigérateur peut bouger si ses pieds réglables ne sont pas bien fixés sur le sol. Bien fixer les pieds réglables sur le sol peut empêcher le réfrigérateur de bouger.
- Quand vous transportez le réfrigérateur, ne le tenez pas par la poignée de la porte. Cela peut le casser.
- Quand vous devez placer votre produit près d'un autre réfrigérateur ou congélateur, la distance entre les appareils doit être d'au moins 8 cm. Sinon, les murs adjacents peuvent être humidifiés.

Pour les appareils dotés d'une fontaine à eau ;

La pression de l'alimentation en eau doit être comprise entre 1 et 8 bars.

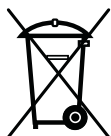
- Utilisez uniquement de l'eau potable.

Sécurité enfants

- Si la porte a un verrouillage, la clé doit rester hors de portée des enfants.
- Les enfants doivent être surveillés et empêchés de s'amuser avec le produit.

Conformité avec la réglementation DEEE et mise au rebut des déchets

Ce produit ne contient pas de matériaux dangereux et interdits décrits dans la « Réglementation sur le contrôle des déchets d'équipements électriques et électroniques » publié par le Ministère de l'Environnement et de l'Urbanisme. Conforme avec la réglementation DEEE.



Le présent produit a été fabriqué avec des pièces et du matériel de qualité supérieure susceptibles d'être réutilisés et adaptés au recyclage. Par conséquent, nous vous

conseillons de ne pas le mettre au rebut aux côtés des ordures ménagères à la fin de sa durée de vie. Au contraire, rendez-vous dans un point de collecte pour le recyclage de tout matériel électrique et électronique. Veuillez vous rapprocher des autorités de votre localité pour plus d'informations concernant le point de collecte le plus proche. Aidez-nous à protéger l'environnement et les ressources naturelles en recyclant les produits usagés. Pour la sécurité des enfants, coupez le câble d'alimentation et le mécanisme de verrouillage de la porte, le cas échéant. Ce faisant, vous rendez l'appareil inopérant avant sa mise au rebut.

Informations relatives à l'emballage

Les matériaux d'emballage de cet appareil sont fabriqués à partir de matériaux recyclables, conformément à nos Réglementations Nationales en Environnement. Ne mélangez pas les matériaux d'emballage avec les déchets domestiques ou d'autres déchets. Amenez-les aux points de collecte des matériaux d'emballage, désignés par les autorités locales.

N'oubliez pas...

Pour la préservation de la nature et de notre santé, il est indispensable de recycler les matières.

Si vous voulez contribuer au recyclage des matériaux d'emballage, vous pouvez vous renseigner auprès d'organisations environnementales ou de l'autorité locale proche de votre domicile.

Avertissement HCA

Si le système de refroidissement de votre appareil contient R600a :

Ce gaz est inflammable. Par conséquent, veuillez prendre garde à ne pas endommager le système de refroidissement et les tuyauteries lors de son utilisation ou de son transport. En cas de dommages, éloignez votre produit de toute source potentielle de flammes susceptible de provoquer l'incendie de l'appareil. De même, placez le produit dans une pièce aérée.

Ne tenez pas compte de cet avertissement si le système de refroidissement de votre appareil contient R134a.

Le type de gaz utilisé dans l'appareil est mentionné sur la plaque signalétique située sur la paroi gauche de l'intérieur du réfrigérateur.

Ne jetez jamais l'appareil au feu pour vous en débarrasser.

Mesures d'économie d'énergie

- Ne laissez pas les portes du réfrigérateur ouvertes pendant une durée prolongée.
- N'introduisez pas de denrées ou de boissons chaudes dans le réfrigérateur.
- Ne surchargez pas le réfrigérateur pour ne pas obstruer pas la circulation d'air à l'intérieur.
- N'installez pas le réfrigérateur à la lumière directe du soleil ou près d'appareil émettant de la chaleur tels qu'un four, un lave-vaisselle ou un radiateur. Maintenez une distance d'au moins 30 cm entre votre réfrigérateur et toute source de chaleur, et à une distance de 5cm d'un four électrique.
- Veillez à conserver vos denrées dans des récipients fermés.
- Pour les produits équipés d'un compartiment congélateur : vous pouvez conserver une quantité maximale d'aliments dans le congélateur quand vous enlevez l'étagère ou le tiroir du congélateur. La consommation d'énergie précisée pour votre réfrigérateur a été déterminée en enlevant l'étagère ou le tiroir du congélateur et avec la charge maximale. Il n'y aucun risque à utiliser une étagère ou un tiroir en fonction des formes et tailles des denrées à congeler.
- La décongélation des aliments dans le compartiment réfrigérateur permet de faire des économies d'énergie et de préserver la qualité des aliments.

3 Installation

⚠ Dans l'hypothèse ou l'information contenue dans ce manuel n'a pas été prise en compte par l'utilisateur, le fabricant ne sera aucunement responsable en cas de problèmes.

Éléments à prendre en considération lors du déménagement de votre réfrigérateur

1. Votre réfrigérateur doit être débranché
2. Avant le transport de votre réfrigérateur, vous devez le vider et le nettoyer. Avant d'emballer votre réfrigérateur, vous devez fixer ses étagères, bac, accessoires, etc, avec du ruban adhésif afin de les protéger contre les chocs.
3. L'emballage doit être solidement attaché avec du ruban adhésif épais ou avec un cordage solide. La réglementation en matière de transport et de marquage de l'emballage doit être strictement respectée.
4. L'emballage et les matériaux de protection d'emballage doivent être conservés pour les éventuels transports ou déplacements à venir.

Avant de mettre votre réfrigérateur en marche,

Vérifiez les points suivants avant de commencer à utiliser votre réfrigérateur

1. Fixez les câbles en plastique tel qu'indiqué sur le schéma ci-dessous. Les câbles en plastique servent à maintenir une distance permettant la circulation de l'air entre le réfrigérateur et le mur. (Cette image n'est donnée qu'à titre indicatif ; elle n'est pas identique à votre produit.)
2. Vous pouvez installer les 2 cales en plastique comme illustré dans le schéma. Les cales en plastique maintiendront la distance nécessaire entre votre Congélateur / réfrigérateur et le mur pour permettre une bonne circulation de l'air. (Le schéma présenté est fourni à titre indicatif et peut ne pas correspondre exactement avec votre produit.)
3. Nettoyez l'intérieur du réfrigérateur tel qu'indiqué dans la section « Entretien et nettoyage ».
4. Insérez la prise du réfrigérateur dans la prise murale. Lorsque la porte du réfrigérateur est ouverte, la lampe interne du réfrigérateur s'éclaire.
5. Lorsque le compresseur commence à fonctionner, il émettra un son. Le liquide et les gaz intégrés au système du réfrigérateur peuvent également faire du bruit, que le compresseur soit en marche ou non. Ceci est tout à fait normal.
6. Les parties antérieures du réfrigérateur peuvent chauffer. Ce phénomène est normal. Ces zones doivent en principe être chaudes pour éviter tout risque de condensation.

Branchement électrique

Branchez votre réfrigérateur à une prise électrique protégée par un fusible ayant une capacité appropriée.

Important :

- Le branchement doit être conforme aux normes en vigueur sur le territoire national.
- La fiche du câble d'alimentation doit être facilement accessible après installation.
- La sécurité électrique du réfrigérateur n'est assurée que si le système de mise à la terre de votre domicile est conforme aux normes en vigueur.
- La tension indiquée sur l'étiquette située sur la paroi gauche interne de votre produit doit correspondre à celle fournie par votre réseau électrique.
- **Les rallonges et prises multivoies ne doivent pas être utilisés pour brancher l'appareil.**

⚠ Un câble d'alimentation endommagé doit être remplacé par un électricien qualifié.

⚠ L'appareil ne doit pas être mis en service avant d'être réparé ! Cette précaution permet d'éviter tout risque de choc électrique!

Mise au rebut de l'emballage

Les matériaux d'emballage peuvent être dangereux pour les enfants. Tenez les matériaux d'emballage hors de portée des enfants ou jetez-les conformément aux consignes établies

par les autorités locales en matière de déchets. Ne les jetez pas avec les déchets domestiques, déposez-les dans les centres de collecte désignés par les autorités locales.

L'emballage de votre appareil est produit à partir de matériaux recyclables.

Mise au rebut de votre ancien réfrigérateur

Débarrassez-vous de votre ancien réfrigérateur sans nuire à l'environnement.

- Vous pouvez consulter le service après-vente agréé ou le centre chargé de la mise au rebut dans votre municipalité pour en savoir plus sur la mise au rebut de votre produit.

Avant de procéder à la mise au rebut de votre machine, coupez la prise électrique et, le cas échéant, tout verrouillage susceptible de se trouver sur la porte. Rendez-les inopérants afin de ne pas exposer les enfants à d'éventuels dangers.

Disposition et Installation

⚠ Si la porte d'entrée de la pièce où sera installé le réfrigérateur n'est pas assez large pour laisser passer le réfrigérateur, appelez le service après-vente qui retirera les portes du réfrigérateur et le fera entrer latéralement dans la pièce.

1. Installez le réfrigérateur dans un

emplacement qui permette une utilisation pratique.

2. Maintenez le réfrigérateur éloigné de toutes sources de chaleur, des endroits humides et de la lumière directe du soleil.
3. Une ventilation d'air autour du réfrigérateur doit être aménagée pour obtenir un fonctionnement efficace. Si le réfrigérateur est placé dans un enfoncement du mur, il doit y avoir un espace d'au moins 5 cm avec le plafond et d'au moins 5 cm avec le mur. Ne placez pas l'appareil sur des revêtements tels qu'un tapis ou de la moquette.
4. Placez le réfrigérateur sur une surface plane afin d'éviter les à-coups.

Remplacement de la lampe

Pour remplacer la lampe LED du réfrigérateur, veuillez contacter le service après-vente agréé.

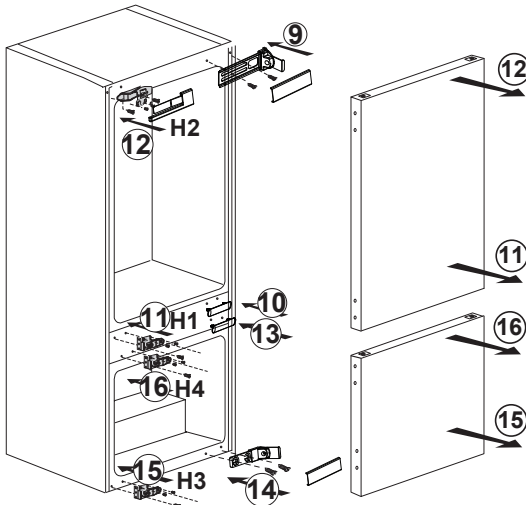
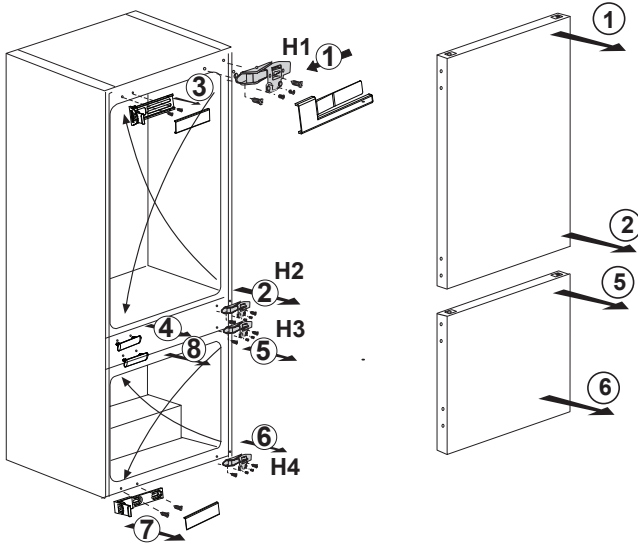
Avertissement - Porte ouverte

(Cette caractéristique est en option)

Un signal d'avertissement sonore retentit lorsque la porte du réfrigérateur reste ouverte pendant au moins 1 minute. Cet avertissement s'arrête en refermant la porte ou en appuyant sur n'importe quel bouton de l'affichage.

Réversibilité des portes

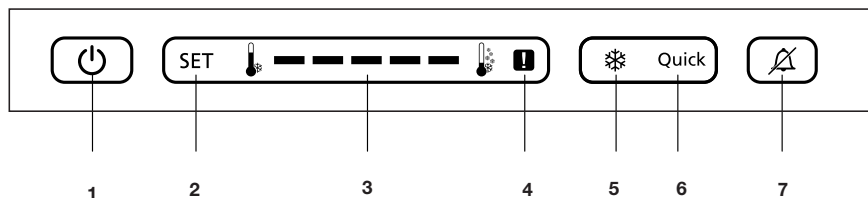
Procédez dans l'ordre numérique



4 Préparation

- Votre congélateur / réfrigérateur doit être installé à au moins 30 cm des sources de chaleur telles que les plaques de cuisson, les fours, appareils de chauffage ou cuisinières, et à au moins 5 cm des fours électriques. De même, il ne doit pas être exposé à la lumière directe du soleil.
- Veuillez vous assurer que l'intérieur de votre appareil est soigneusement nettoyé.
- La température ambiante de la pièce où vous installez le congélateur / réfrigérateur doit être d'au moins 10°C. Faire fonctionner l'appareil sous des températures inférieures n'est pas recommandé et pourrait nuire à son efficacité.
- Si deux congélateur / réfrigérateurs sont installés côte à côte, ils doivent être séparés par au moins 2 cm.
- Lorsque vous faites fonctionner le congélateur / réfrigérateur pour la première fois, assurez-vous de suivre les instructions suivantes pendant les six premières heures.
- La porte ne doit pas être ouverte fréquemment.
- Le congélateur / réfrigérateur doit fonctionner à vide, sans denrées à l'intérieur.
- Ne débranchez pas le congélateur / réfrigérateur. Si une panne de courant se produit, veuillez vous reporter aux avertissements dans la section « Solutions recommandées aux problèmes ».
- L'emballage et les matériaux de protection d'emballage doivent être conservés pour les éventuels transports ou déplacements à venir.
- Vous pouvez charger une quantité maximale d'aliments dans le compartiment de votre réfrigérateur, en enlevant l'étagère ou le tiroir du compartiment congélateur. La consommation d'énergie fixée pour votre réfrigérateur a été déterminée en enlevant l'étagère ou le tiroir du congélateur et avec la charge maximale. Il n'y a aucun risque à utiliser une étagère ou un tiroir adapté aux formes et tailles des aliments à congeler.
- Ne bloquez pas la grille du ventilateur du congélateur en posant des aliments devant cette dernière. Vous devez toujours laisser un espace minimal de 3 cm devant cette grille afin de permettre à l'air nécessaire d'y circuler pour refroidir efficacement ce compartiment.

5 Utilisation de votre réfrigérateur



1 - Fonction Marche/Arrêt

Appuyez sur la touche On/Off pendant 3 secondes pour allumer ou éteindre le réfrigérateur.

2 - Fonction de réglage du réfrigérateur

Cette fonction vous donne la possibilité de régler la température du compartiment réfrigérateur.

Appuyez sur ce bouton pour régler la température du compartiment réfrigérateur sur (plus chaud), --, ---, ----, ----- (plus froid) respectivement.

3- Indicateur de réglage de température du compartiment réfrigérateur

Indique le réglage de température pour le compartiment réfrigérateur. Les réglages sont les suivants (le plus chaud), --, ---, ----, ----- (le plus froid)

4- Température élevée/Indicateur d'avertissement d'erreur

Cet éclairage accompagne des échecs de température élevée et des messages d'erreur.

5- Indicateur de réfrigération rapide

Cette icône s'allume lorsque la fonction de réfrigération rapide est active.

6 - Fonction de réfrigération rapide

Lorsque vous appuyez sur le bouton Réfrigération rapide, la température du compartiment sera plus froide que les valeurs de réglage.

Cette fonction peut être utilisée pour les denrées placées dans le compartiment de réfrigération que l'on souhaite refroidir rapidement.

Si vous souhaitez introduire de grandes quantités de produits frais dans le réfrigérateur, nous vous recommandons d'activer au préalable cette option. L'indicateur de réfrigération rapide restera allumé pendant que sa fonction est activée. Pour annuler cette fonction, appuyez à nouveau sur le bouton Réfrigération rapide. L'indicateur de réfrigération rapide s'éteindra et retournera à son réglage normal.

Après 2 heures de temps, ou lorsque le compartiment réfrigérateur atteint la température souhaitée, cet indicateur s'annulera automatiquement si vous ne le faites pas. Cette fonction n'est pas reprise lorsque le courant est rétabli après une panne de courant.

7- Alarme désactivée

Lorsque la porte du réfrigérateur reste ouverte pendant 2 minutes ou lorsque le capteur est en panne, une alarme sonore retentit. Pour arrêter l'alarme, appuyez sur le bouton « Alarme désactivée ».

L'alarme de dysfonctionnement du capteur ne retentira qu'en cas de panne électrique. Si vous fermez et ouvrez la porte, « l'alarme d'ouverture de porte » s'active à nouveau au bout de 2 minutes.

6 Entretien et nettoyage

- ⚠ N'utilisez jamais d'essence, de benzène ou de matériaux similaires pour le nettoyage.
- ⚠ Nous vous recommandons de débrancher l'appareil avant de procéder au nettoyage.
- ❗ N'utilisez jamais d'ustensiles tranchants, savon, produit de nettoyage domestique, détergent et cirage pour le nettoyage.
- ❗ Utilisez de l'eau tiède pour nettoyer la carrosserie du congélateur / réfrigérateur et séchez-la soigneusement à l'aide d'un chiffon.
- ❗ Utilisez un chiffon humide imbibé d'une solution composée d'une cuillère à café de bicarbonate de soude pour un demi litre d'eau pour nettoyer l'intérieur et séchez soigneusement.
- ⚠ Prenez soin de ne pas faire couler d'eau dans le logement de la lampe et dans d'autres éléments électriques.
- ⚠ En cas de non utilisation de votre congélateur / réfrigérateur pendant une période prolongée, débranchez le câble d'alimentation, sortez toutes les denrées, nettoyez-le et laissez la porte entrouverte.
- ❗ Inspectez les joints de porte régulièrement pour vérifier qu'ils sont propres et qu'il n'y a pas de résidus de nourriture.
- ❗ Pour retirer les balconnets de portes,

sortez tout son contenu puis poussez simplement le balconnet vers le haut à partir de la base.

- ❗ Ne jamais utiliser des produits nettoyants ou de l'eau contenant du chlore pour le nettoyage des surfaces externes et des pièces chromées du produit. Le chlore entraîne la corrosion de ces surfaces métalliques.

Protection des surfaces en plastique.

- Ne placez pas d'huiles ou de plats huileux dans le congélateur / réfrigérateur dans des récipients non fermés, car les graisses peuvent endommager les surfaces en plastique du congélateur / réfrigérateur. Si vous versez ou éclaboussez de l'huile sur les surfaces en plastique, nettoyez et lavez les parties souillées avec de l'eau chaude immédiatement.

7 Dépannage

Veillez vérifier la liste suivante avant d'appeler le service après-vente. Cela peut vous faire économiser du temps et de l'argent. Cette liste regroupe les problèmes les plus fréquents ne provenant pas d'un défaut de fabrication ou d'utilisation du matériel. Il se peut que certaines des fonctions décrites ne soient pas présentes sur votre produit.

Le réfrigérateur ne fonctionne pas.

- La fiche n'est pas insérée correctement dans la prise. >>>Insérez correctement la fiche dans la prise.
- Est-ce que le fusible ou la douille de raccord du réfrigérateur sont connectés ou est-ce que le fusible principal a sauté ? >>>Vérifiez le fusible.

Condensation sur la paroi intérieure du compartiment réfrigérateur. (MULTIZONE, COOL CONTROL et FLEXI ZONE).

- La température ambiante est très froide. >>>N'installez pas le réfrigérateur dans des endroits où la température peut être inférieure à 10 °C.
- La porte a été ouverte souvent. >>>Évitez d'ouvrir et de fermer trop fréquemment la porte du réfrigérateur.
- L'environnement est très humide. >>>N'installez pas votre réfrigérateur dans des endroits très humides.
- La nourriture contenant du liquide est conservée dans des récipients ouverts. >>>Ne conservez pas de la nourriture contenant du liquide dans des récipients ouverts.
- La porte du réfrigérateur est laissée entrouverte. >>>Fermez la porte du réfrigérateur.
- Le thermostat est réglé à un niveau très froid. >>>Réglez le thermostat à un niveau adapté.

• Le compresseur ne fonctionne pas.

- Le dispositif de protection thermique du compresseur sautera en cas de coupures soudaines du courant ou de débranchement intempestif, en effet la pression du liquide réfrigérant du système de refroidissement ne sera pas équilibrée. Le réfrigérateur recommencera à fonctionner normalement après 6 minutes environ. Veuillez contacter le service après-vente si le réfrigérateur ne redémarre pas après cette période.
- Le réfrigérateur est en mode de dégivrage. >>>Cela est normal pour un réfrigérateur à dégivrage semi-automatique. Le cycle de dégivrage se déclenche régulièrement.
- Le réfrigérateur n'est pas branché à la prise. >>>Assurez-vous que la prise est branchée dans la prise murale.
- Les réglages de température ne sont pas effectués correctement. >>>Sélectionnez la température appropriée.
- Il y a une panne de courant. >>>Le réfrigérateur recommence à fonctionner normalement après le retour du courant.

Le niveau sonore augmente lorsque le réfrigérateur est en marche.

- Les caractéristiques de performance du réfrigérateur peuvent changer en raison des variations de la température ambiante. Cela est normal et n'est pas un défaut.

Le réfrigérateur fonctionne fréquemment ou pendant de longues périodes.

- Votre nouveau réfrigérateur est peut être plus large que l'ancien. Les grands réfrigérateurs durent plus longtemps.
- La température de la pièce est probablement élevée. >>>Il est normal que l'appareil fonctionne plus longtemps quand la température ambiante est élevée.
- Le réfrigérateur pourrait y avoir été branché tout récemment ou pourrait avoir été chargé de denrées alimentaires. >>>Quand le réfrigérateur a été branché ou récemment rempli avec de la nourriture, il met plus de temps à atteindre la température réglée. Ce phénomène est normal.
- D'importantes quantités de denrées chaudes ont peut être été introduites dans le réfrigérateur récemment. >>>Ne mettez pas de nourriture chaude dans le réfrigérateur.
- Les portes ont peut être été ouvertes fréquemment ou laissées entrouvertes pendant une durée prolongée. >>>L'air chaud qui entre dans l'appareil oblige le réfrigérateur à travailler sur de plus longues périodes. N'ouvrez pas les portes fréquemment.
- La porte du réfrigérateur est probablement entrouverte. >>>Vérifiez que les portes sont bien fermées.
- Le réfrigérateur est réglé à une température très basse. >>>Réglez la température du réfrigérateur à un degré supérieur et attendez que la température réglée soit atteinte.
- Le joint de la porte du réfrigérateur ou du congélateur peut être sale, déchiré, rompu ou mal en place. >>>Nettoyez ou remplacez le joint. Tout joint endommagé/déchiré fait fonctionner le réfrigérateur pendant une période de temps plus longue afin de conserver la température actuelle.

La température du congélateur est très basse alors que celle du réfrigérateur est correcte.

- La température du congélateur est réglée à une température très basse. >>>Réglez la température du congélateur à un degré supérieur et vérifiez.

La température du réfrigérateur est très basse alors que celle du congélateur est correcte.

- La température du réfrigérateur est réglée à une température très basse. >>>Réglez la température du réfrigérateur à un degré supérieur et vérifiez.

Les denrées conservées dans les tiroirs du compartiment de réfrigération sont congelées.

- La température du réfrigérateur est réglée à une température très basse. >>>Réglez la température du réfrigérateur à un niveau inférieur et vérifiez.

La température dans le réfrigérateur ou le congélateur est très élevée.

- La température du réfrigérateur est réglée à une température très basse. >>>Le réglage du compartiment réfrigérant a un effet sur la température du congélateur. Changez les températures du réfrigérateur ou du congélateur et attendez que les compartiments atteignent une température suffisante.
- Les portes ont peut être été ouvertes fréquemment ou laissées entrouvertes pendant une durée prolongée. >>>N'ouvrez pas les portes fréquemment.
- La porte est entrouverte. >>>Refermez complètement la porte.
- Le réfrigérateur a été récemment branché ou rempli avec de la nourriture. >>>Ce phénomène est normal. Lorsque le réfrigérateur vient d'être branché ou récemment rempli avec de la nourriture, il met plus de temps à atteindre la température réglée.
- D'importantes quantités de denrées chaudes ont peut être été introduites dans le réfrigérateur récemment. >>>Ne mettez pas de nourriture chaude dans le réfrigérateur.

• Vibrations ou bruits

- Le sol n'est pas plat ou stable. >>>Si le réfrigérateur balance lorsqu'il est déplacé lentement, équilibrez-le en ajustant sa base. Assurez-vous que le sol est plat et suffisamment solide pour supporter le poids et le volume de l'appareil.
- Les éléments placés sur le réfrigérateur peuvent faire du bruit. >>>Enlevez les éléments du haut du réfrigérateur.

Le réfrigérateur produit des bruits semblables à de l'eau qui coule, à la pulvérisation d'un liquide, etc.

- Des écoulements de gaz et de liquides surviennent dans le réfrigérateur, de par ses principes de fonctionnement. Cela est normal et n'est pas un défaut.

Un sifflement sort du réfrigérateur.

- Les ventilateurs sont utilisés pour refroidir le réfrigérateur. Cela est normal et n'est pas un défaut.

Condensation sur les parois intérieures du réfrigérateur.

- Un temps chaud et humide augmente la formation de givre et de condensation. Cela est normal et n'est pas un défaut.
- Les portes ont peut être été ouvertes fréquemment ou laissées entrouvertes pendant une durée prolongée. >>>N'ouvrez pas les portes fréquemment. Refermez-les si elles sont ouvertes.
- La porte est entrouverte. >>>Refermez complètement la porte.

De l'humidité est présente à l'extérieur ou entre les portes du réfrigérateur.

- Il y a peut être de l'humidité dans l'air; ceci est tout à fait normal par un temps humide. Lorsque l'humidité est faible, la condensation disparaîtra.

Présence d'une mauvaise odeur dans le réfrigérateur.

- Il n'y a pas de nettoyage régulier effectué. >>>Nettoyez régulièrement l'intérieur du réfrigérateur avec une éponge, de l'eau tiède ou du carbonate dissout dans l'eau.
- Certains récipients ou matériaux d'emballage peuvent provoquer ces odeurs. >>>Utilisez un autre récipient ou changez de marque de matériau d'emballage.
- Les denrées sont mises au réfrigérateur dans des récipients sans couvercle. >>>Conservez les aliments liquides dans des récipients fermés. Les micro-organismes issus de récipients non fermés peuvent dégager des odeurs désagréables.
- Enlevez les aliments périmés et pourris du réfrigérateur.

La porte ne se ferme pas.

- Des récipients empêchent la fermeture de la porte. >>>Retirez les emballages qui obstruent la porte.
- Le réfrigérateur n'est pas complètement vertical sur le sol. >>>Ajustez les pieds du réfrigérateur pour l'équilibrer.
- Le sol n'est pas plat ou solide. >>>Assurez-vous que le sol est plat et qu'il peut supporter le poids du réfrigérateur.

Les bacs à légumes sont coincés.

- Il se peut que les denrées touchent le plafond du tiroir. >>>Disposez à nouveau les denrées dans le tiroir.

Gelieve eerst deze gebruiksaanwijzing te lezen!

Beste klant,

We hopen dat uw product, dat in een moderne fabriek werd geproduceerd en onder de meest nauwkeurige procedures voor kwaliteitscontrole werd gecontroleerd, u doeltreffend van dienst zal zijn.

Wij bevelen daarom aan dat u eerst zorgvuldig de volledige gebruiksaanwijzing van uw product leest voordat u het product gaat gebruiken. Bewaar de handleiding voor toekomstige raadpleging.

Deze gebruiksaanwijzing

- Helpt u uw toestel snel en veilig te gebruiken.
- Lees de gebruiksaanwijzing voordat u het product installeert en gebruikt.
- Volg de instructies, in het bijzonder die met betrekking tot veiligheid.
- Bewaar de gebruiksaanwijzing op een eenvoudig toegankelijke plaats aangezien u deze later nodig kunt hebben.
- Daarnaast dient u ook de andere documenten die bij uw product worden geleverd te lezen.

Let erop dat deze gebruiksaanwijzing ook voor andere modellen kan gelden.

Symbolen en hun beschrijvingen

Deze instructiehandleiding bevat de volgende symbolen:

 Belangrijke informatie of nuttige gebruikstips.

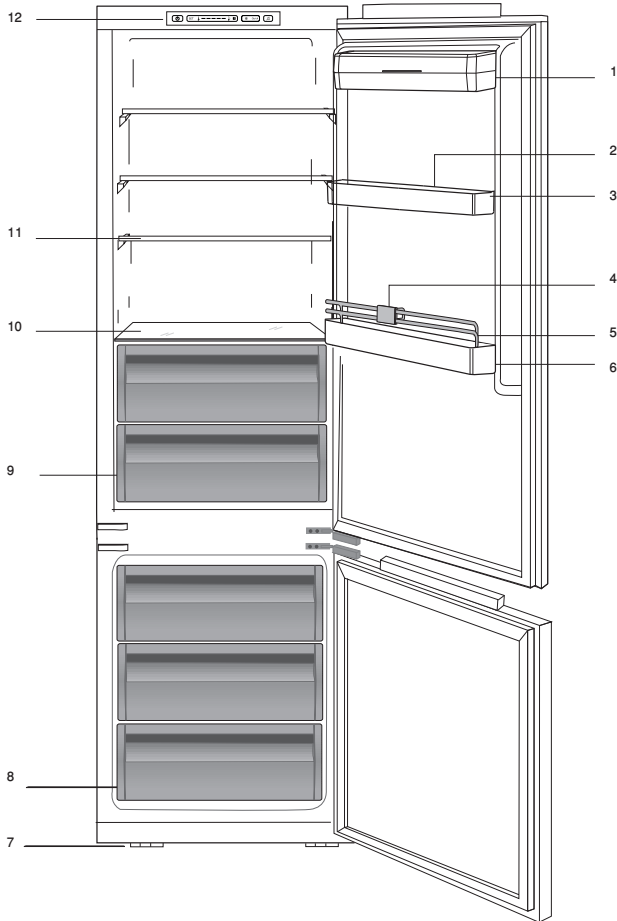
 Waarschuwing tegen gevaarlijke omstandigheden voor leven en eigendommen.

 Waarschuwing tegen elektrische spanning.

INHOUD

1 Uw koelkast	3	4 Voorbereiding	12
2 Belangrijke veiligheidswaarschuwingen	4	5 Utilisation de votre réfrigérateur	13
Bedoeld gebruik	4	6 Onderhoud en reiniging	15
Algemene veiligheid	4	Bescherming van de plastic oppervlakken	15
Kinderbeveiliging	6	7 Fouten opsporen	16
Voldoet aan de AEEE-richtlijn en de richtlijnen voor afvoeren van het restproduct	6		
Voldoet aan RoHS-richtlijn:	7		
Verpakkingsinformatie	7		
HCA-waarschuwing	7		
Aanwijzingen ter besparing van energie	8		
3 Installatie	9		
Punten waarop gelet moet worden bij de verplaatsing van een koelkast	9		
Voordat u de koelkast inschakelt,	9		
Het vervangen van de lamp	10		
Afvoeren van de verpakking	10		
Afvoeren van uw oude koelkast	10		
Plaatsing en installatie	10		
De deuren omkeren	11		

1 Uw koelkast



- | | | | |
|----|-----------------------|-----|---|
| 1. | Boter- en kaasvak | 8. | Diepvriesgedeelte |
| 2. | Eierrekken | 9. | Groenteladen |
| 3. | Deurrekje | 10. | Deksel groentelade |
| 4. | Flessenhouder | 11. | Aanpasbare glazen schappen |
| 5. | Flessenhouder | 12. | Indicatorpaneel elektronische bediening |
| 6. | Flessenrek | | |
| 7. | Pieds réglables avant | | |

i De afbeeldingen in deze gebruiksaanwijzing zijn schematisch en hoeven niet exact met uw product overeen te komen. Wanneer onderdelen niet tot het product behoren dat u hebt gekocht, zijn deze geldig voor andere modellen.

2 Belangrijke veiligheidswaarschuwingen

Gelieve de volgende informatie goed te bestuderen. Niet-inachtneming van deze informatie kan verwondingen of materiële schade veroorzaken. In dat geval worden alle garanties en betrouwbaarheidsengagementen ongeldig.

Uw product heeft een levensduur van 10 jaar. Tijdens deze periode zijn de originele reserve-onderdelen beschikbaar om uw product juist te laten werken.

Bedoeld gebruik

Dit product is bedoeld om te worden gebruikt:

- binnen en in gesloten omgevingen zoals huizen;
- in gesloten werkomgevingen zoals kantoren en winkels;
- in gesloten accommodatieomgevingen zoals boerderijen, hotels, pensions.
- Het toestel mag niet buitenshuis worden gebruikt.

Algemene veiligheid

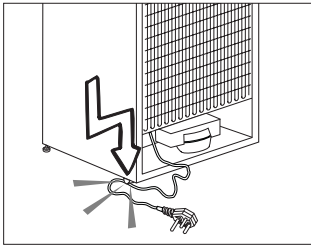
- Wanneer u het product wenst af te voeren, raden wij u aan de bevoegde onderhoudsdienst te raadplegen om de benodigde informatie en bevoegde instanties te leren kennen.
- Raadpleeg uw bevoegde onderhoudsdienst voor alle vragen en problemen met betrekking tot de koelkast. Voer geen ingrepen aan de koelkast uit en laat dit ook niet

door iemand anders doen zonder de bevoegde onderhoudsdienst op de hoogte te stellen.

- Voor producten met een diepvriesvak; Eet geen ijs of ijsblokjes meteen nadat u deze uit het diepvriesvak heeft gehaald. (Dit kan bevriezing in uw mond veroorzaken.)
- Voor producten met een diepvriesvak; Plaats geen flessen of blikjes met vloeibare dranken in het diepvriesvak. Deze zouden kunnen barsten.
- Raak ingevroren levensmiddelen niet met de hand aan; deze kunnen aan uw hand vastplakken.
- Verwijder de stekker uit uw koelkast voor u deze reinigt of ontdooit.
- Bij het schoonmaken en ontdooien van de koelkast mogen geen stoom en stoomreinigers gebruikt worden. De stoom kan in contact komen met de elektrische onderdelen en kortsluiting of een elektrische schok veroorzaken.
- Gebruik geen onderdelen van uw koelkast zoals de deur als steun of opstapje.
- Gebruik geen elektrische apparaten binnen in de koelkast.
- Beschadig de onderdelen, waar de koelmoeistof circuleert, niet door boor- of snijdgereedschap. De koelmoeistof kan naar buiten geblazen worden wanneer de gasleidingen van de verdamper, leidingverlengingen of oppervlaktecoatings worden doorboord en dit kan huidirritatie en oogletsel veroorzaken.

- Dek of blokkeer de ventilatieopeningen van uw koelkast met geen enkel materiaal.
- Elektrische toestellen mogen enkel door bevoegde personen worden hersteld. Reparaties die door onbevoegde personen worden uitgevoerd kunnen een risico voor de gebruiker opleveren.
- Sluit in geval van storing of tijdens onderhouds- of reparatiewerken de stroomtoevoer van de koelkast af door de zekering eruit te draaien of de stekker van het apparaat eruit te trekken.
- Bij het uittrekken van de stekker deze niet aan de kabel uittrekken.
- Plaats alcoholische dranken goed afgesloten en verticaal.
- Bewaar nooit spuitbussen met een ontvlambare of explosieve inhoud in de koelkast.
- Gebruik geen andere mechanische gereedschappen of andere middelen om het ontdooiproces te versnellen dan deze aangeraden door de fabrikant.
- Dit product is niet bestemd voor gebruik door personen met een fysieke, zintuiglijke of mentale stoornis of ongeschoolde of onervaren mensen (inclusief kinderen) tenzij deze worden bijgestaan door een persoon die verantwoordelijk is voor hun veiligheid of die hen dienovereenkomstig instructies geeft bij het gebruik van het product
- Gebruik geen beschadigde koelkast. Neem contact op met de dealer als u vragen heeft.
- Elektrische veiligheid van uw koelkast wordt alleen gegarandeerd wanneer het aardingssysteem in uw huis aan de normen voldoet.
- Blootstelling van het product aan regen, sneeuw, zon en wind is gevaarlijk met betrekking tot de elektrische veiligheid.
- Neem contact op met een bevoegde dienst wanneer de stroomkabel beschadigd is om zo gevaar te voorkomen.
- Steek tijdens installatie nooit de stekker van de koelkast in de wandcontactdoos. Er bestaat een kans op overlijden of serieus letsel.
- Deze koelkast is enkel bestemd voor het bewaren van voedsel. Hij mag niet voor andere doeleinden worden gebruikt.
- Het label met technische specificaties bevindt zich aan de linkerwand binnenin de koelkast.
- Sluit je koelkast nooit aan op energiebesparende systemen; deze kunnen de koelkast beschadigen.
- Als er zich een blauwe lamp in uw koelkast bevindt, kijk hier dan niet voor een lange tijd in met het blote oog of met optische hulpmiddelen. Wacht minstens 5 minuten met het inschakelen van de koelkast na stroomuitval bij manueel bediende koelkasten.
- Deze gebruikershandleiding moet aan de nieuwe eigenaar van het toestel gegeven worden wanneer het toestel doorgegeven wordt.
- Vermijd schade aan de stroomkabel bij transport van de koelkasten. De kabel plooiën kan vuur veroorzaken. Plaats geen zware voorwerpen op de

- Raak de stekker niet aan met natte handen wanneer deze in het stopcontact wordt geplaatst.



- Plaats de stekker van de koelkast niet in het stopcontact als dit stopcontact los is.
- Er mag om veiligheidsredenen geen water rechtstreeks op de binnen- of buitendelen van het toestel gesproeid worden.
- Sproei geen stoffen met ontvlambare gassen zoals propaangas dichtbij de koelkast om gevaar op vuur en ontploffing te voorkomen.
- Plaats geen containers gevuld met water op de koelkast; dit kan bij morsen elektrische schokken of vuur veroorzaken.
- Laad de koelkast niet te vol met voedsel. Indien de koelkast overladen is, kan voedsel naar beneden vallen bij het openen en u kwetsen of de koelkast beschadigen.
- Plaats geen objecten op de koelkast; deze kunnen naar beneden vallen wanneer u de deur open of dicht doet.
- Producten die een nauwkeurige temperatuurregeling nodig hebben (vaccins, hittegevoelige medicatie, wetenschappelijke materialen, enz.) mogen niet in koelkast bewaard worden.

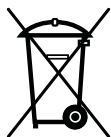
- De koelkast moet worden losgekoppeld indien deze langdurig niet wordt gebruikt. Een mogelijk probleem met de stroomkabel kan vuur veroorzaken.
- Het uiteinde van de stekker moet regelmatig worden gereinigd met een droge doek, anders kan deze brand veroorzaken.
- De koelkast kan bewegen als de stelvoetjes niet juist op de vloer worden vastgezet. De stelvoetjes juist vastzetten op de vloer kan voorkomen dat de koelkast beweegt.
- Hef de koelkast niet aan het handvat bij verplaatsing. Anders breekt het.
- Als u het product naast een andere koelkast of diepvriezer plaatst, moet de afstand hiertussen minstens 8 cm zijn. Anders kunnen aaneensluitende zijwanden nat worden.

Kinderbeveiliging

- Indien de deur een slot heeft, moet de sleutel buiten het bereik van kinderen worden gehouden.
- Kinderen moeten onder toezicht staan om te voorkomen dat ze met het product knoeien.

Voldoet aan de AEEE-richtlijn en de richtlijnen voor afvoeren van het restproduct

Dit product bevat geen schadelijke of verboden materialen zoals beschreven in de "Verordening op controle voor afvalsortering van elektrische en elektronische apparatuur" uitgegeven door het T.R. ministerie van milieu en planologie. Voldoet aan de AEEE-verordening.



Dit product werd vervaardigd uit onderdelen en materialen van hoge kwaliteit die hergebruikt kunnen worden en geschikt zijn voor recycling. Gooi het product daarom niet weg met het normaal huishoudafval aan het einde van zijn levensduur. Breng het naar een recyclingpunt voor het recyclen van elektrische en elektronische apparaten. Vraag uw plaatselijke overheid waar het dichtstbijzijnde verzamelpunt gelegen is. Help het milieu en natuurlijke bronnen te beschermen door gebruikte producten te recyclen. Snij, voordat u zich van het product ontdoet, de stroomkabel door en breek het vergrendelmechanisme van de deur, zodat het niet meer werkt, om zo de veiligheid van kinderen te beschermen.

Voldoet aan RoHS-richtlijn:

Het door u aangekochte product voldoet aan de EU-richtlijn RoHS (2011/65/EU). Het bevat geen schadelijke en verboden materialen die in deze richtlijn zijn opgenomen.

Verpakkingsinformatie

De verpakkingsmaterialen van het product zijn vervaardigd uit recycleerbare materialen in overeenstemming met onze nationale milieunormen. Gooi het verpakkingsmateriaal niet weg met het huishoudelijk of ander afval. Breng het naar een verzamelpunt voor verpakkingsmateriaal dat is aangesteld door de lokale autoriteiten.

Vergeet niet...

Elk gerecyclede stof is een essentieel belang voor de natuur en onze nationale rijkdom.

Als u wilt bijdragen aan de herbeoordeling van verpakkingsmaterialen, kunt u uw milieuorganisatie of uw gemeente raadplegen.

HCA-waarschuwing

Als het koelsysteem van uw product R600a bevat:

Dit gas is ontvlambaar. Zorg daarom tijdens gebruik en transport dat het koelsysteem en de leidingen niet beschadigd raken. In het geval van schade: houd uw product weg van mogelijke ontstekingsbronnen die kunnen veroorzaken dat het product vuur vat en ventileer de ruimte waarin de unit is geplaatst.

Negeer deze waarschuwing als het koelsysteem van uw product R134a bevat.

Het type gas dat in dit product wordt gebruikt staat vermeld op de type-etiket aan de linkerwand binnenin de koelkast.

Gooi het product nooit in vuur voor verwijdering.

Aanwijzingen ter besparing van energie

- Houd de deuren van uw koelkast niet lang open.
- Plaats geen warme levensmiddelen of dranken in de koelkast.
- Overlaad de koelkast niet zodat luchtcirculatie aan de binnenzijde niet geblokkeerd wordt.
- Plaats de koelkast niet in direct zonlicht of naast warmteafgevend apparaten zoals een oven, vaatwasser of radiator. Houd uw koelkast minstens 30 cm verwijderd van warmteafgevend bronnen en minstens 5 cm van elektrische ovens.
- Bewaar uw levensmiddelen in gesloten bakjes.
- Voor producten met een diepvriesvak; U kunt een maximale hoeveelheid voedsel in de diepvries bewaren wanneer u de schappen of lade uit de diepvries verwijdert. De waarde voor energieconsumptie van uw diepvries werd vastgesteld door verwijdering van de diepvries schappen of laden en onder de maximum hoeveelheid. Er bestaat geen risico bij het gebruik van een schap of lade volgens de vorm en grootte van het in te vriezen voedsel.
- Bevroren voedsel in het koelgedeelte ontdooien laat toe om energie te besparen en behoudt de voedselkwaliteit.

3 Installatie

⚠ Indien de informatie die in deze gebruikershandleiding wordt gegeven, niet wordt opgevolgd, is de fabrikant in geen geval aansprakelijk.

Punten waarop gelet moet worden bij de verplaatsing van een koelkast

1. Uw koelkast moet van de stroom zijn afgesloten. Voor het vervoer van uw koelkast moet deze leeg zijn gemaakt en gereinigd.
2. Voordat deze wordt verpakt, moeten schappen, accessoires, groentelade, enz. in de koelkast worden vastgemaakt met tape en beschermd zijn tegen stoten. De verpakking dient met dikke tape of geschikt touw worden ingebonden en de vervoerregels op de verpakking dienen strikt te worden nageleefd.
3. Originele verpakking en schuimmaterialen moeten worden bewaard voor toekomstig transport of verhuizen.

Voordat u de koelkast inschakelt,

Controleer het volgende voordat u uw koelkast gaat gebruiken:

1. Bevestig 2 plastic wiggen zoals hieronder afgebeeld. Plastic wiggen zijn bedoeld om afstand te houden, om zo een luchtcirculatie te behouden tussen uw koelkast en de muur. (De afbeelding is slechts een schets en is niet gelijk aan uw product.)

2. Maak de binnenkant van de koelkast schoon, zoals aanbevolen in het hoofdstuk "Onderhoud en reiniging".
3. Sluit de stekker van de koelkast aan op het stopcontact. Als de koelkastdeur wordt geopend, gaat de binnenverlichting van de koelkast aan.
4. Als de compressor begint te draaien, komt er een geluid vrij. De vloeistof en de gassen die zich in het koelsysteem bevinden, zouden ook wat lawaai kunnen veroorzaken zelfs wanneer de compressor niet werkt. Dit is normaal.
5. De buitenkant van de koelkast kan warm aanvoelen. Dit is normaal. Deze oppervlakken zijn bedoeld om warm te worden om condensvorming te voorkomen.

Elektrische aansluiting

Sluit uw apparaat aan op een geaard stopcontact, beschermd door een zekering met de juiste capaciteit.

Belangrijk:

- De aansluiting moet in naleving zijn met nationale voorschriften.
- De stroomstekker moet na installatie eenvoudig bereikbaar zijn.
- Elektrische veiligheid van uw koelkast wordt alleen gegarandeerd wanneer het aardingssysteem in uw huis aan de normen voldoet.
- Het voltage op het etiket dat zich links binnenin uw product bevindt moet gelijk zijn aan uw netstroomvoltage.
- **Verlengkabels en verdeelstekkers mogen voor aansluiting niet worden gebruikt.**

⚠ Een beschadigde stroomkabel kabel moet door een gekwalificeerd elektricien worden vervangen.

⚠ Het product mag niet in werking worden gesteld voordat het gerepareerd is! Er bestaat anders gevaar op een elektrische schok!

Afvoeren van de verpakking

De verpakkingsmaterialen kunnen gevaarlijk zijn voor kinderen. Houd het verpakkingsmateriaal buiten bereik van kinderen of voer deze af conform afvalinstructies zoals bepaald door uw lokale autoriteiten. Gooi het niet weg met het normale huishoudafval, maar maak gebruik van ophaalplaatsen voor verpakkingen die door lokale autoriteiten zijn aangewezen.

De verpakking van uw koelkast is vervaardigd uit herbruikbare materialen.

Afvoeren van uw oude koelkast

Voer uw oude koelkast af zonder het milieu op enige wijze te schaden.

- U kunt uw bevoegde dealer of het afvalcentrum van uw gemeente raadplegen over het afvoeren van uw koelkast.

Voordat u uw koelkast afvoert, snijd de elektrische stekker af. Indien het apparaat is uitgevoerd met deursluitingen, dit slot dan onbruikbaar maken om kinderen tegen gevaar te beschermen.

Plaatsing en installatie

⚠ Als de toegangsdeur van de kamer waarin de koelkast wordt geïnstalleerd niet breed genoeg is voor de koelkast om erdoor te passen, bel dan de bevoegde dienst zodat deze de deuren van uw koelkast kan verwijderen en de koelkast zijdelings door de deur kan.

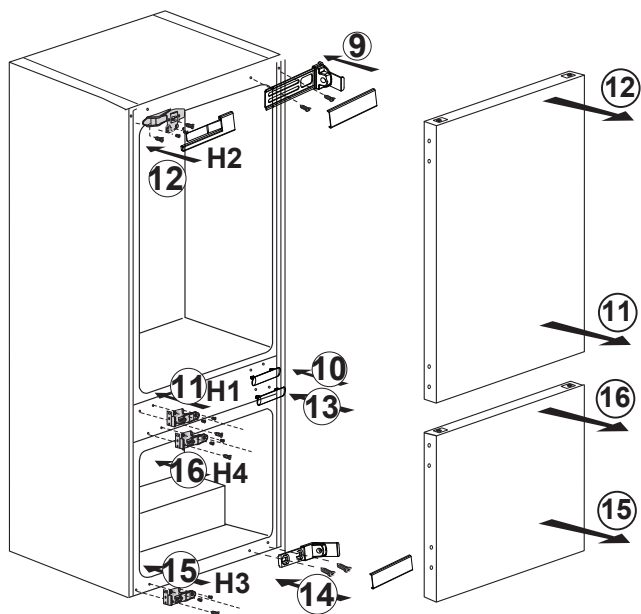
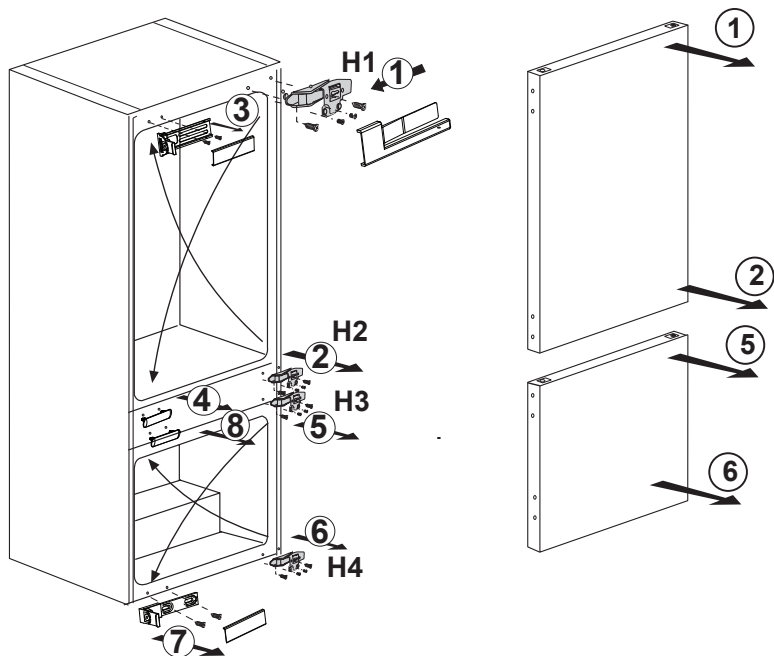
1. Installeer uw koelkast op een plaats waar deze gemakkelijk kan worden gebruikt.
2. Houd uw koelkast uit de buurt van warmtebronnen, vochtige plaatsen en direct zonlicht.
3. Er moet geschikte luchtventilatie rond uw koelkast zijn om een efficiënte werking te verkrijgen. Als de koelkast in een uitsparing in de muur wordt geplaatst, moet er minstens 5 cm afstand zijn ten opzichte van het plafond en minstens 5 cm ten opzichte van de muur. Plaats uw product niet op materialen zoals een kleden of vloerbedekking.
4. Plaats uw koelkast op een vlak vloeroppervlak om schokken te vermijden.

Het vervangen van de lamp

Om de lamp/led voor de binnenverlichting van uw koelkast te vervangen, bel uw bevoegde onderhoudsdienst.

De deuren omkeren

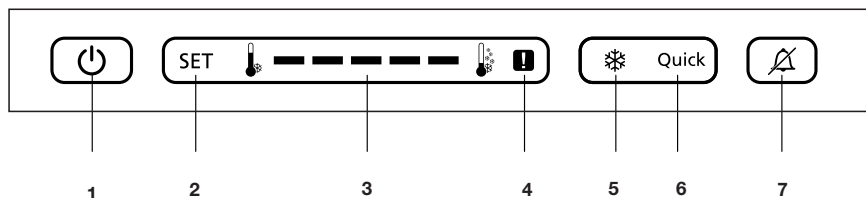
Ga verder in numerieke volgorde.



4 Voorbereiding

- Uw koelkast moet worden geïnstalleerd op minstens 30 cm afstand van warmtebronnen zoals kookplaten, centrale verwarming en kachels en op minstens 5 cm afstand van elektrische ovens. De koelkast mag niet in direct zonlicht worden geplaatst.
- De omgevingstemperatuur van de kamer waarin u de koelkast installeert dient minstens 10°C te zijn. In verband met efficiëntie wordt gebruik van uw koelkast in koudere omstandigheden niet aanbevolen.
- Controleer of de binnenzijde van uw koelkast volledig schoon is.
- Bij installatie van twee koelkasten naast elkaar, moeten de koelkasten op een afstand van minstens 2 cm van elkaar worden geplaatst.
- Wanneer u de koelkast voor de eerste keer in gebruik neemt, gelieve tijdens de eerste zes uur de volgende instructies in acht te houden.
 - De deur niet regelmatig openen.
 - Koelkast moet in bedrijf gesteld worden zonder levensmiddelen.
 - De stekker van de koelkast niet uittrekken. Indien zich een stroomstoring voordoet buiten uw macht, zie de waarschuwingen in het deel "Aanbevolen oplossingen voor problemen".
- Originele verpakking en schuimmaterialen moeten worden bewaard voor toekomstig transport of verhuizen.
- U kunt het diepvriesgedeelte van de koelkast met een maximale hoeveelheid etenswaren laden door de diepvriesladen te verwijderen. De waarde van het energieverbruik van de koelkast werd bepaald met verwijderde diepvriesladen, behalve de onderlade, indien aanwezig, en gevuld met een maximale hoeveelheid etenswaren. Er bestaat geen risico bij het gebruik van een schap of lade in de vorm en grootte van het in te vriezen voedsel.
- Dek het ventilatierooster van de diepvriezer niet af door er etenswaar voor te zetten. Er moet zich altijd een ruimte van minimaal 3 cm afstand voor het ventilatierooster van de diepvriezer bevinden om voldoende lucht door te laten om het vak efficiënt te laten vriezen.

5 Utilisation de votre réfrigérateur



1- Fonction Marche/Arrêt

Appuyez sur la touche On/Off pendant 3 secondes pour allumer ou éteindre le réfrigérateur.

2 - Fonction de réglage du réfrigérateur

Cette fonction vous donne la possibilité de régler la température du compartiment réfrigérateur.

Appuyez sur ce bouton pour régler la température du compartiment réfrigérateur sur (plus chaud), --, ---, ----, ----- (plus froid) respectivement.

3- Indicateur de réglage de température du compartiment réfrigérateur

Indique le réglage de température pour le compartiment réfrigérateur. Les réglages sont les suivants (le plus chaud), --, ---, ----, ----- (le plus froid)

4- Température élevée/Indicateur d'avertissement d'erreur

Cet éclairage accompagne des échecs de température élevée et des messages d'erreur.

5- Indicateur de réfrigération rapide

Cette icône s'allume lorsque la fonction de réfrigération rapide est active.

6 - Fonction de réfrigération rapide

Lorsque vous appuyez sur le bouton Réfrigération rapide, la température du compartiment sera plus froide que les valeurs de réglage.

Cette fonction peut être utilisée pour les denrées placées dans le compartiment de réfrigération que l'on souhaite refroidir rapidement.

Si vous souhaitez introduire de grandes quantités de produits frais dans le réfrigérateur, nous vous recommandons d'activer au préalable cette option. L'indicateur de réfrigération rapide restera allumé pendant que sa fonction est activée. Pour annuler cette fonction, appuyez à nouveau sur le bouton Réfrigération rapide. L'indicateur de réfrigération rapide s'éteindra et retournera à son réglage normal.

Après 2 heures de temps, ou lorsque le compartiment réfrigérateur atteint la température souhaitée, cet indicateur s'annulera automatiquement si vous ne le faites pas. Cette fonction n'est pas reprise lorsque le courant est rétabli après une panne de courant.

7- Alarme désactivée

Lorsque la porte du réfrigérateur reste ouverte pendant 2 minutes ou lorsque le capteur est en panne, une alarme sonore retentit. Pour arrêter l'alarme, appuyez sur le bouton « Alarme désactivée ».

L'alarme de dysfonctionnement du capteur ne retentira qu'en cas de panne électrique. Si vous fermez et ouvrez la porte, « l'alarme d'ouverture de porte » s'active à nouveau au bout de 2 minutes.

Waarschuwing Deur open

Er gaat een alarmsignaal af wanneer de deur van de koelkast of van het diepvriesgedeelte gedurende een bepaalde periode open wordt gelaten. Dit geluidssignaal stopt zodra er een knop op de indicator wordt ingedrukt of wanneer de deur gesloten wordt.

6 Onderhoud en reiniging

- ⚠ Gebruik nooit benzine, benzeen of gelijksoortige substanties voor het reinigingswerk.
- ⚠ Wij bevelen aan dat u de stekker uit het toestel trekt voordat u met reinigen begint.
- ⚠ Gebruik nooit scherpe voorwerpen, zeep, huishoudproducten, afwasmiddel of boenwas om te poetsen.
- ℹ Gebruik lauwwarm water om de kast van uw koelkast schoon te maken en wrijf deze droog.
- ℹ Gebruik een vochtige doek, uitgewrongen in een oplossing van één koffielepel natriumbicarbonaat voor 50 cl water, om de binnenkant schoon te maken en wrijf vervolgens droog.
- ⚠ Zorg ervoor dat er geen water in de lamp en andere elektrische onderdelen binnensijpelt.
- ⚠ Als uw koelkast voor een lange periode niet zal worden gebruikt, trek dan de stroomkabel uit, verwijder alle etenswaren, maak de koelkast schoon en laat de deur op een kier staan.
- ℹ Kijk de deurgrendels regelmatig na om u ervan te overtuigen dat ze schoon en vrij van etensresten zijn.
- ⚠ Om deurroosters te verwijderen, verwijder de inhoud en druk het deurrooster vervolgens eenvoudigweg naar boven vanaf de basis.

- ⚠ Gebruik nooit reinigingsmiddelen of water dat chloor bevat om de buitenkant en de verchromde onderdelen van het product te reinigen. Chloor veroorzaakt corrosie op dergelijke metalen oppervlakken.

Bescherming van de plastic oppervlakken

- ℹ Plaats geen vloeibare olie of in olie bereide maatlijden in uw koelkast in onafgedichte bakjes. Deze kunnen de plastic oppervlakken van uw koelkast beschadigen. Mocht u olie morsen op de kunststof oppervlakken, reinig dit deel van het oppervlak dan direct met warm water en spoel af.

7 Fouten opsporen

Controleer de volgende punten voordat u de onderhoudsdienst belt. Dit kan u tijd en geld besparen. Deze lijst omvat regelmatige klachten die niet voortkomen uit defect vakmanschap of materiaalgebruik. Het is mogelijk dat bepaalde functies die hier beschreven zijn niet tot uw product behoren.

De koelkast werkt niet.
<ul style="list-style-type: none">• De stekker zit niet op de juiste manier in het stopcontact. >>>Zorg ervoor dat de stekker veilig in het stopcontact wordt geplaatst.• De zekering van het stopcontact waarop de koelkast is aangesloten of de hoofdzekering is gesprongen. >>>Controleer de zekering.
Condensvorming langs de wand van het koelgedeelte (MULTI ZONE, COOL CONTROL en FLEXI ZONE).
<ul style="list-style-type: none">• Omgeving is erg koud. >>>Plaats de koelkast niet in een ruimte waar de temperatuur lager kan worden dan 10°C.• De deur van de koelkast werd regelmatig open gemaakt. >>>Open en sluit de deur van de koelkast niet te veel.• Omgeving is erg vochtig. >>>Plaats de koelkast niet in een vochtige ruimte.• Voedsel met veel vloeistoffen wordt in open bakjes bewaard. >>>Bewaar dit soort voedsel in gesloten bakjes.• De deur van de koelkast staat op een kier. >>>Sluit de deur van de koelkast.• De thermostaat staat veel te laag. >>>Zet de thermostaat hoger.
De compressor draait niet
<ul style="list-style-type: none">• Thermische bescherming van de compressor kan springen gedurende plotselinge stroomuitval of afsluiting van de stroomtoevoer wanneer de druk van het koelmiddel in het koelsysteem van de koelkast niet in balans is. De koelkast gaat na ongeveer 6 minuten draaien. Neem contact op met de onderhoudsdienst wanneer uw koelkast na deze periode niet start.• De koelkast zit in een ontdooicyclus. >>>Dit is normaal voor een volledig automatisch ontdooiende koelkast. Ontdooicyclus vindt periodiek plaats.• De stekker van de koelkast steekt niet in het stopcontact. >>>Zorg ervoor dat de stekker in het stopcontact zit.• De temperatuuraanpassingen werden niet correct uitgevoerd. >>>Kiest een geschikte temperatuurwaarde.• Er is een stroomstoring. >>>Zodra de storing is verholpen keert de koelkast terug naar normale werking.

Het werkingsgeluid neemt toe wanneer de koelkast werkt.
<ul style="list-style-type: none"> • De werking van de koelkast kan veranderen als gevolg van wijzigingen in de omgevingstemperatuur. Dit is normaal en geen defect.
De koelkast werkt frequent of gedurende lange tijd.
<ul style="list-style-type: none"> • Uw nieuwe product is mogelijk breder dan het vorige. Grote koelkasten werken langer. • De omgevingstemperatuur kan hoog zijn. >>>Het is normaal dat het product langer draait in een warme omgeving. • De stekker van de koelkast kan onlangs ingestoken zijn of de koelkast kan zijn volgeladen met etenswaren. >>>Wanneer de koelkast pas is ingeschakeld of kortgeleden werd gevuld, duurt het langer om de ingestelde temperatuur te bereiken. Dit is normaal. • Grote hoeveelheden warme levensmiddelen kunnen recentelijk in de koelkast zijn geplaatst. >>>Plaats geen warm voedsel in de koelkast. • Deuren werden regelmatig geopend of hebben enige tijd op een kier gestaan. >>>De warme lucht die in de koelkast is binnengekomen maakt dat de koelkast langer werkt. Open de deuren niet te dikwijls. • De deur van het vries- of koelcompartiment is mogelijk op een kier blijven staan. >>>Controleer of de deuren goed gesloten zijn. • De koelkast is zeer koud ingesteld. >>>Stel de koelkasttemperatuur hoger en wacht tot de temperatuur wordt bereikt. • Deurafdichting van de koelkast of diepvriezer kan vuil, versleten, gebroken of niet goed geplaatst zijn. >>>Maak de afdichting schoon of vervang deze. Een beschadigde/gebroken afdichting maakt dat de koelkast langer moet werken om de huidige temperatuur te handhaven.
Diepvriestemperatuur is erg laag terwijl de koelkasttemperatuur voldoende is.
<ul style="list-style-type: none"> • De diepvriestemperatuur is zeer koud ingesteld. >>>Stel de diepvriezertemperatuur hoger in en controleer.
Koelkasttemperatuur is erg laag terwijl de diepvriestemperatuur voldoende is.
<ul style="list-style-type: none"> • De temperatuur van het koelvak is zeer koud ingesteld. >>>Stel de koelkasttemperatuur hoger in en controleer.

Etenswaren die in laden van het koelgedeelte worden bewaard, bevroren.
<ul style="list-style-type: none"> • De temperatuur van het koelvak is zeer hoog ingesteld. >>>Stel de koelkasttemperatuur lager in en controleer.
Temperatuur in de koelkast of diepvriezer is zeer hoog.
<ul style="list-style-type: none"> • De temperatuur van het koelvak is zeer hoog ingesteld. >>>De temperatuur van het koelvak heeft invloed op de temperatuur van de diepvriezer. Wijzig de temperatuur van de koelkast of de diepvriezer en wacht tot de betreffende compartimenten de gewenste temperatuur bereikt. • Deuren werden regelmatig geopend of hebben enige tijd op een kier gestaan. >>>Open de deuren niet te vaak. • De deur staat op een kier. >>>Sluit de deur volledig. • De koelkast is pas ingeschakeld of werd recent geladen met voedsel. >>>Dit is normaal. Wanneer de koelkast net is ingeschakeld of kortgeleden werd gevuld, duurt het langer om de ingestelde temperatuur te bereiken. • Grote hoeveelheden warme levensmiddelen kunnen recentelijk in de koelkast zijn geplaatst. >>>Plaats geen warm voedsel in de koelkast.
Vibratie of geluid.
<ul style="list-style-type: none"> • De vloer is niet gelijk of stabiel. >>> Indien de koelkast schommelt bij enige beweging, moet u de stelvoetjes aanpassen. Zorg dat de vloer vlak en sterk genoeg is om de koelkast te dragen. • De spullen die boven op de koelkast liggen kunnen geluid veroorzaken. >>>Verwijder deze van de bovenzijde van de koelkast.
Er komt een geluid van morsende of sprayende vloeistof uit de koelkast.
<ul style="list-style-type: none"> • Vloeistof- en gasstromen vinden plaats conform de werkingsprincipes van uw koelkast. Dit is normaal en geen defect.
Er komt een fluitend geluid van de koelkast.
<ul style="list-style-type: none"> • Er worden ventilatoren gebruikt om de koelkast te koelen. Dit is normaal en geen defect.
Condens op de binnenwanden van de koelkast.
<ul style="list-style-type: none"> • Met warm en vochtig weer neemt ijs- en condensvorming toe. Dit is normaal en geen defect. • Deuren werden regelmatig geopend of hebben enige tijd op een kier gestaan. >>>Open de deuren niet te vaak. Sluit ze wanneer ze open staan. • De deur staat op een kier. >>>Sluit de deur volledig.
Vocht aan de buitenkant van de koelkast of tussen de deuren.
<ul style="list-style-type: none"> • De lucht is mogelijk vochtig; dit is vrij normaal bij vochtig weer. Wanneer de vochtigheid minder wordt, zal de condens verdwijnen.

Slechte geur binnenin de koelkast.

- Ze wordt niet regelmatig schoongemaakt. >>>Maak de binnenkant van de koelkast regelmatig schoon met een spons met lauw water waarin eventueel wat carbonaat is opgelost.
- Sommige bakjes of verpakkingsmaterialen kunnen de geur veroorzaken. >>>Gebruik een ander bakje of ander soort verpakkingsmateriaal.
- Er is voedsel in de koelkast geplaatst in een open bakje. >>>Bewaar het voedsel altijd in een gesloten bakje. Micro-organismen die zich verspreiden vanuit containers zonder deksel kunnen onaangename geuren veroorzaken.
- Neem vervallen voedingswaren en gemorste gerechten altijd meteen uit de koelkast.

De deur sluit niet.

- Voedselpakketjes kunnen er de reden van zijn dat de deur niet sluit. >>>Verplaats de verpakkingen die de deur belemmeren.
- De koelkast staat niet volledig waterpas op de vloer. >>>Stel de stelvoetjes bij om de koelkast waterpas te zetten.
- De vloer is niet gelijk of stevig. >>>Zorg dat de vloer vlak is en de koelkast kan dragen.

Groenteladen zitten vast.

- De levensmiddelen kunnen de bovenzijde van de lade raken. >>>Herschik de levensmiddelen in de lade.

Prosimy najpierw przeczytać tę instrukcję obsługi!

Drodzy Klienci,

Mamy nadzieję, że nasz wyrób, wyprodukowany w nowoczesnym zakładzie i sprawdzony według najbardziej drobiazgowych procedur kontroli jakości, będzie Wam dobrze służył.

Dlatego zalecamy, aby uważnie przeczytać całą instrukcję obsługi tego wyrobu przed jego uruchomieniem i zachować ją do wglądu w przyszłości.

Instrukcja niniejsza

- Pomoże używać tego urządzenia sprawnie i bezpiecznie.
- Przeczytajcie tę instrukcję przed zainstalowaniem i uruchomieniem lodówki.
- Postępujcie zgodnie z tymi wskazówkami, zwłaszcza dotyczącymi bezpieczeństwa.
- Przechowujcie tę instrukcję w łatwo dostępnym miejscu, bo może się przydać później.
- Prosimy przeczytać także inne dokumenty dostarczone wraz z lodówką.
- Instrukcja ta może odnosić się także do innych modeli.

Symbole i ich znaczenie

Niniejsza instrukcja obsługi zawiera następujące symbole:

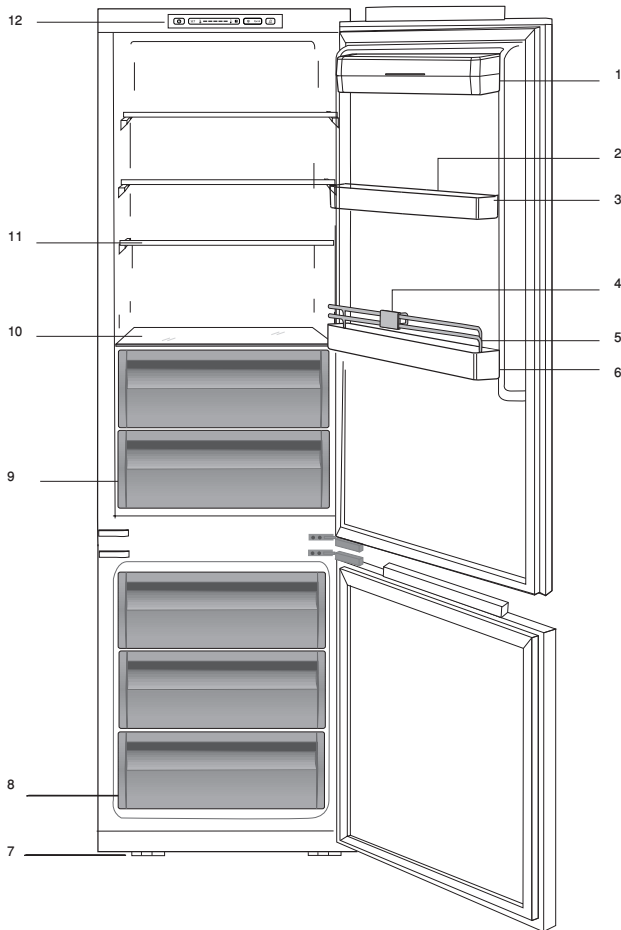
 Ważne informacje lub przydatne wskazówki użytkownika.

 Ostrzeżenie przed zagrożeniem życia i mienia.

 Ostrzeżenie przed porażeniem elektrycznym.

1 Oto Wasza chłodziarka	3	4 Przygotowanie	11
	3	Przekładanie drzwi.....	12
2 Ważne ostrzeżenia dot. bezpieczeństwa	4	5 Użytkowanie chłodziarki	13
Zamierzone przeznaczenie	4	6 Konserwacja i czyszczenie	14
Ogólne zasady bezpieczeństwa.....	4	Zabezpieczenia powierzchni	
Bezpieczeństwo dzieci	7	plastycznych	14
Zgodność z dyrektywą WEEE i		7 Zalecane rozwiązania	
usuwanie odpadów:	7	problemów	15
Zgodność z dyrektywą RoHS:	7		
Informacje opakowaniu.....	7		
Ostrzeżenie HCA	7		
Co robić, aby oszczędzać energię.	8		
3 Instalacja	9		
Przed uruchomieniem chłodziarki	9		
Połączenia elektryczne	9		
Wymiana lampki oświetlenia	10		
Usuwanie opakowania.....	10		
Utylizacja starej chłodziarki	10		
Ustawienie i instalacja.....	10		

1 Oto Wasza chłodziarka



- | | |
|----------------------------|---|
| 1. Miejsce na masło i sery | 7. Regulowane nóżki |
| 2. Uchwyt na jajka | 8. Komora zamrażalnika |
| 3. Półka w drzwiach | 9. Komora schładzania |
| 4. Ochrona | 10. Komora schładzania |
| 5. Uchwyt na butelki | 11. Nastawiane półki |
| 6. Półka na butelki | 12. Panel wskaźników regulacji elektronicznej |

i Rysunki w niniejszej instrukcji to tylko schematy i nie muszą ściśle odpowiadać Waszemu modelowi lodówki. Jeśli pewnych części nie ma w Waszej lodówce, to znaczy, że odnoszą się do innych modeli.

2 Ważne ostrzeżenia dot. bezpieczeństwa

Prosimy przeczytać następujące ostrzeżenia. Ich nieprzestrzeganie grozi obrażeniami lub uszkodzeniem mienia. W takim przypadku tracą ważność wszelkie gwarancje i zapewnienia niezawodności.

Czas użytkowania nabytego urządzenia wynosi 10 lat. Przez ten czas utrzymujemy części zamienne potrzebne do jego zgodnego z opisem funkcjonowania.

Zamierzone przeznaczenie

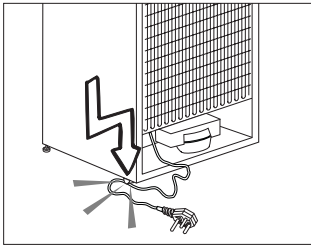
- Urządzenie można używać wyłącznie w gospodarstwie domowym oraz:
 - na zapleczu kuchennych personelu w sklepach, biurach i w innych miejscach pracy;
 - w kuchniach wiejskich i przez gości hotelowych, w motelach i innych tego rodzaju miejscach;
 - w pensjonatach serwujących nocleg ze śniadaniem;
 - cateringu i w innych tego rodzaju zastosowaniach niedetalicznych.
 - Nie należy używać jej na dworze. Nie nadaje się do użytkowania na dworze, nawet w miejscach zadaszonych.
- Konsultujcie się z Waszym autoryzowanym serwisem w sprawach wszelkich pytań i problemów związanych z tą lodówką. Bez powiadomienia autoryzowanego serwisu nie wolno samemu ani innym osobom naprawiać chłodziarki.
 - Nie jedzcie lodów ani lodu bezpośrednio po wyjęciu ich z zamrażalnika! (Może to spowodować odmrożenia w ustach).
 - Nie wkładajcie do zamrażalnika napojów w puszkach ani w butelkach. Mogą wybuchnąć.
 - Nie dotykajcie palcami mrożonej żywności, bo może do nich przylgnąć.
 - Do czyszczenia i rozmrażania lodówki nie wolno stosować pary ani środków czyszczących w tej postaci. W takich przypadkach para może zetknąć się z częściami urządzeń elektrycznych i spowodować zwarcie albo porażenie elektryczne.
 - Nie wolno używać żadnych części lodówki, takich jak drzwiczki, jako podpory ani stopnia.
 - Wewnątrz lodówki nie wolno używać urządzeń elektrycznych.
 - Nie wolno uszkadzać obwodu chłodzącego, w którym krąży środek chłodzący, narzędziami do wiercenia i cięcia. Środek chłodzący, który może wybuchnąć skutkiem przedziurawienia przewodów gazowych parownika, przedłużenia rur lub powłok powierzchni, może spowodować podrażnienia skóry lub obrażenia oczu.

Ogólne zasady bezpieczeństwa

- Gdy zechcecie pozbyć się tego urządzenia/ złomować je, zalecamy skonsultowanie się z autoryzowanym serwisem, aby uzyskać potrzebne informacje i poznać kompetentne organa.

- Nie przykrywajcie żadnym materiałem ani nie blokujcie otworów wentylacyjnych w lodówce.
- Urządzenia elektryczne naprawiać mogą tylko wykwalifikowani fachowcy. Naprawy wykonywane przez osoby niekompetentne mogą powodować zagrożenie dla użytkowników.
- W razie jakiegokolwiek awarii, a także w trakcie prac konserwacyjnych lub napraw, odłączcie lodówkę od zasilania z sieci albo wyłączając odnośny bezpiecznik, albo wyjmując wtyczkę z gniazdka.
- Wyjmując przewód zasilający z gniazdka należy ciągnąć za wtyczkę, nie za przewód.
- Napoje o wyższej zawartości alkoholu wkładajcie do lodówki w ściśle zamkniętych naczyniach i w pozycji pionowej.
- W urządzeniu nie należy przechowywać substancji wybuchowych ani pojemników z łatwopalnymi gazami pędnymi.
- W celu przyśpieszenia procesu rozmrażania lodówki nie należy używać żadnych urządzeń mechanicznych ani innych środków poza zalecanymi przez jej producenta.
- Urządzenie to nie jest przeznaczone do obsługi przez osoby (w tym dzieci) z ograniczoną sprawnością fizyczną, zmysłową lub umysłową, czy bez odpowiedniego doświadczenia i umiejętności, o ile nie zapewni się im nadzoru lub instrukcji jego użytkowania ze strony osoby odpowiedzialnej za ich bezpieczeństwo.
- Nie uruchamiajcie lodówki, jeśli jest uszkodzona. W razie wątpliwości należy się skonsultować z serwisem.
- Bezpieczeństwo elektryczne tej lodówki gwarantuje się tylko jeśli system uziemienia Waszej instalacji domowej spełnia wymogi norm.
- Wystawianie tego urządzenia na działanie deszczu, śniegu, słońca i wiatru zagraża jego bezpieczeństwu elektrycznemu.
- W razie uszkodzenia przewodu zasilającego itp. skontaktujcie się z autoryzowanym serwisem, aby nie narażać się na zagrożenie.
- W trakcie instalowania chłodziarki nigdy nie wolno włączać wtyczki w gniazdko w ścianie. Może to zagrażać śmiercią lub poważnym urazem.
- Chłodziarka ta służy wyłącznie do przechowywania żywności. Nie należy jej używać w żadnym innym celu.
- Etykieta z danymi technicznymi chłodziarki umieszczona jest po lewej stronie w jej wnętrzu.
- Nie przyłączaj tej chłodziarki do systemu oszczędzania energii, ponieważ może to ją uszkodzić.
- Jeśli na chłodzience pali się niebieska lampka, nie należy patrzeć na nie dłuższy czas nieosłoniętymi oczami ani przez przyrządy optyczne.
- Jeśli od ręcznie nastawianej chłodziarki odłączy się zasilanie, prosimy odczekać co najmniej 5 minut, zanim ponownie się je załączy.
- Jeżeli zmieni się właściciel tej chłodziarki, niniejszą instrukcję obsługi należy przekazać wraz z nią nowemu właścicielowi.

- Przy przesuwaniu chłodziarki uważaj, żeby nie uszkodzić przewodu zasilającego. Aby zapobiec pożarowi nie wolno skręcać tego przewodu. Nie ustawiać na przewodzie żadnych ciężkich przedmiotów. Gdy wtyczka chłodziarki jest wsadzona do gniazdka nie wolno jej dotykać wilgotnymi dłońmi.



- Nie wsadzaj wtyczki chłodziarki do obluzowanego gniazdka.
- Ze względów bezpieczeństwa nie przyskaj wodą bezpośrednio na zewnętrzne ani na wewnętrzne części chłodziarki.
- Ze względu na zagrożenie pożarem i wybuchem nie rozpylaj łatwopalnych materiałów, takich jak gaz propan itp., w pobliżu chłodziarki.
- Nie stawiaj na chłodziarce przedmiotów wypełnionych wodą, ponieważ grozi to porażeniem elektrycznym lub pożarem.
- Nie przeciążaj chłodziarki nadmierną ilością żywności. Nadmiar żywności może wypaść, gdy otwiera się drzwiczki, narażając użytkownika na obrażenia ciała lub uszkodzenie chłodziarki. Nie wolno stawiać żadnych przedmiotów na chłodziarce, ponieważ mogą spaść przy otwieraniu lub zamykaniu drzwiczek.
- W chłodziarce nie należy przechowywać żadnych materiałów, które wymagają utrzymania w pewnej temperaturze, takich jak szczepionki, lekarstwa wrażliwe na temperaturę, materiały do badań naukowych itp.
- Jeśli chłodziarka ma być nieużywana przez dłuższy czas, należy wyjąć jej wtyczkę z gniazdka. Uszkodzenie izolacji elektrycznej przewodu zasilającego może spowodować pożar.
- Czubek wtyczki elektrycznej należy regularnie czyścić, w przeciwnym razie może spowodować pożar.
- Czubki wtyczki należy regularnie czyścić suchą ściereczką, w przeciwnym razie mogą spowodować pożar.
- Jeśli nastawialne nóżki nie stoją pewnie na podłodze, chłodziarka może się przesuwać. Prawidłowa regulacja nóżek chłodziarki zapewnia jej stabilność na podłodze.
- Jeśli chłodziarka ma klamkę w drzwiach nie należy ciągnąć za nią, gdy przesuwa się chłodziarkę, ponieważ można w ten sposób odłączyć ją od chłodziarki.
- Jeśli musisz ustawić chłodziarkę obok innej chłodziarki lub zamrażarki, odległość między tymi urządzeniami musi wynosić co najmniej 8 mm. W przeciwnym razie na ich ustawionych naprzeciw siebie bocznych ścianach może skraplać się wilgoć.
- Ciśnienie wody w instalacji wodociągowej musi wynosić co najmniej 1 bar. Ciśnienie wody w instalacji wodociągowej nie może przekraczać 8 bar.
- Używaj wyłącznie wody pitnej.

Bezpieczeństwo dzieci

- Jeśli drzwiczki zamykane są na klucz, należy go chronić przez dostępem dzieci.
- Należy zapewnić opiekę dzieciom, aby nie bawiły się lodówką.

Zgodność z dyrektywą WEEE i usuwanie odpadów:

Niniejszy wyrób jest zgodny z dyrektywą Parlamentu Europejskiego i Rady (2012/19/WE). Wyrób ten oznaczony jest symbolem klasyfikacji zużytych urządzeń elektrycznych i elektronicznych (WEEE).



Wyrób ten wykonano z części i materiałów wysokiej jakości, które mogą być odzyskane i użyte jako surowce wtórne. Po zakończeniu użytkowania nie należy pozbywać się go razem z innymi odpadkami domowymi. Należy przekazać go do punktu zbiórki urządzeń elektrycznych i elektronicznych na surowce wtórne. Aby dowiedzieć się, gdzie jest najbliższy taki punkt, prosimy skonsultować się z władzami lokalnymi.

Zgodność z dyrektywą RoHS:

Niniejszy wyrób jest zgodny z dyrektywą Parlamentu Europejskiego i Rady RoHS (Ograniczenie użycia substancji niebezpiecznych) (2011/65/WE). Nie zawiera szkodliwych i zakazanych materiałów, podanych w tej dyrektywie.

Informacje opakowaniu

Materiały opakowania tego wyrobu są wykonane z surowców wtórnych, zgodnie z naszymi krajowymi przepisami dotyczącymi ochrony środowiska. Materiałów opakunkowych nie wolno wyrzucać z odpadami z gospodarstwa domowego lub innymi. Należy przekazać je do punktu zbiórki surowców wtórnych.

Ostrzeżenie HCA

Jeśli chłodziarka ta wyposażona jest w system chłodniczy zawierający R600a:

Gaz ten jest łatwopalny. Należy zatem uważać, aby w trakcie jego użytkowania i transportu nie uszkodzić systemu i przewodów chłodzenia. W razie uszkodzenia, należy trzymać chłodziarkę z dala od potencjalnych źródeł ognia, które mogą spowodować jej pożar i należy wietrzyć pomieszczenie, w którym jest umieszczona.

Prosimy zignorować to ostrzeżenie, jeśli chłodziarka ta wyposażona jest w system chłodniczy zawierający R134a.

Oznaczenie gazu zastosowanego w danej chłodziarce można odczytać z tabliczki znamionowej umieszczonej z lewej strony w jej wnętrzu.

Nie należy złomować chłodziarki przez jej spalanie.

Co robić, aby oszczędzać energię.

- Nie zostawiajcie drzwiczek lodówki otwartych na dłużej.
- Nie wkładajcie do lodówki gorących potraw ani napojów.
- Nie przeładowujcie lodówki tak, aby przeszkadzało to w krążeniu powietrza w jej wnętrzu.
- Nie instalujcie lodówki tam, gdzie narażona będzie na bezpośrednie działanie słońca ani w pobliżu urządzeń wydzielających ciepło takich jak piecyki, zmywarki do naczyń lub grzejniki.
- Pamiętajcie, aby żywność przechowywać w zamkniętych pojemnikach.
- Po wyjęciu półki lub szuflady z komory zamrażalnika można do niego włożyć maksymalną ilość żywności. Deklarowane zużycie energii przez chłodziarkę określono przy półce lub szufladzie wyjętej z komory zamrażania i przy maksymalnym wypełnieniu żywnością. Używanie półki lub szuflady odpowiednio do kształtów i rozmiarów zamrażanej żywności jest bezpieczne.

3 Instalacja

- i** Należy pamiętać, że producent nie ponosi odpowiedzialności, jeśli są ignorowane informacje podane w niniejszej instrukcji.
1. W razie potrzeby ponownego transportu chłodziarki należy przestrzegać następujących wskazówek:
 2. Przed transportem należy chłodziarkę opróżnić i oczyścić.
 3. Przed ponownym zapakowaniem chłodziarki, półki, akcesoria, pojemnik na warzywa itp. należy przymocować taśmą klejącą zabezpieczając je przed wstrząsami.
 4. Opakowanie należy obwiązać grubą taśmą i silnymi sznurkami i przestrzegać reguł transportu wydrukowanych na opakowaniu.
2. Włączyć wtyczkę chłodziarki w gniazdko w ścianie. Po otwarciu drzwiczek chłodziarki zapali się światło we wnętrzu jej komory chłodzenia.
 3. Po uruchomieniu sprężarki usłyszycie jej szum. Płyny i gazy zawarte w systemie chłodzenia także mogą powodować szumy, nawet jeśli nie działa sprężarka i jest to zupełnie normalne.
 4. Przednie krawędzie lodówki mogą się nieco nagrzewać. Jest to całkiem normalne. Te obszary powinny się nagrzewać, co zapobiega skraplaniu się pary.

Prosimy pamiętać...

Wszystkie surowce wtórne stanowią niezbywalne źródło oszczędności zasobów naturalnych i krajowych.

Osoby pragnące przyczynić się do wtórnego wykorzystania materiałów opakunkowych, mogą uzyskać dodatkowe informacje od instytucji ochrony środowiska lub władz lokalnych.

Przed uruchomieniem chłodziarki

Przed rozpoczęciem użytkowania chłodziarki, należy sprawdzić:

1. Oczyścić wnętrze chłodziarki, zgodnie z zaleceniami podanymi w rozdziale „Konserwacja i czyszczenie”.
2. Włączyć wtyczkę chłodziarki w gniazdko w ścianie. Po otwarciu drzwiczek chłodziarki zapali się światło we wnętrzu jej komory chłodzenia.
 3. Po uruchomieniu sprężarki usłyszycie jej szum. Płyny i gazy zawarte w systemie chłodzenia także mogą powodować szumy, nawet jeśli nie działa sprężarka i jest to zupełnie normalne.
 4. Przednie krawędzie lodówki mogą się nieco nagrzewać. Jest to całkiem normalne. Te obszary powinny się nagrzewać, co zapobiega skraplaniu się pary.

Połączenia elektryczne

Lodówkę przyłącza się do gniazdko z uziemieniem zabezpieczonego bezpiecznikiem o odpowiedniej wydajności.

Ważne:

- Przyłączenie lodówki musi być zgodne z przepisami krajowymi.
 - Po instalacji wtyczka zasilania musi być łatwo dostępna.
 - Podane tam napięcie musi być równe napięciu w Waszej sieci zasilającej.
 - Do przyłączenia nie można używać przedłużaczy, ani przewodów z wieloma wtyczkami.
- ⚠** Uszkodzony przewód zasilający musi wymienić upoważniony i wykwalifikowany elektryk.
- ⚠** Nie można ponownie uruchomić produktu przed jego naprawieniem! Grozi to porażeniem elektrycznym!

Usuwanie opakowania

Materiały opakunkowe mogą być niebezpieczne dla dzieci. Należy chronić materiały opakunkowe przed dostępem dzieci, albo usunąć je zgodnie z instrukcją odpowiednią dla odpadków ich kategorii. Nie można pozbywać się ich w taki sam sposób, jak innych odpadków domowych.

Opakowanie tej chłodziarki wyprodukowano z surowców wtórnych.


Utilizacja starej chłodziarki

Starej chłodziarki należy pozbyć się tak, aby nie zaszkodzić środowisku naturalnemu.

- W sprawie złomowania lodówki możecie skonsultować się z autoryzowanym sprzedawcą lub punktem zbiórki surowców wtórnych w swojej miejscowości.

Przed złomowaniem lodówki należy odciąć wtyczkę zasilania elektrycznego, a jeśli w drzwiczkach są jakieś zamki, należy je trwale uszkodzić, aby zapobiec zagrożeniu dzieci.

Ustawienie i instalacja

 Jeśli drzwiczki wejściowe do pomieszczenia, w którym ma być zainstalowana chłodziarka, są zbyt wąskie, aby chłodziarka mogła przez nie przejść, należy wezwać autoryzowany serwis, który zdejmie z niej drzwiczki i przeniesie ją bokiem przez drzwi.

1. Chłodziarkę należy zainstalować w miejscu, w którym łatwo będzie ją używać.
2. Chłodziarka musi stać z dala od źródeł ciepła, miejsc wilgotnych i bezpośrednio nasłonecznionych.

3. Aby uzyskać wydajną pracę chłodziarki, należy zapewnić odpowiednią wentylację wokół niej. Jeśli chłodziarka ma stać we wnęce w ścianie, należy zachować co najmniej 5 cm odstęp od sufitu i ściany. Jeśli podłoga pokryta jest wykładziną dywanową, chłodziarka musi stać 2,5 cm ponad powierzchnią podłogi.
4. Aby uniknąć wstrząsów, chłodziarkę należy ustawić na równej powierzchni podłogi.

Wymiana lampki oświetlenia

Aby wymienić lampkę używaną do oświetlenia chłodziarki, prosimy wezwać autoryzowany serwis.

Ostrzeżenie o otwartych drzwiczkach

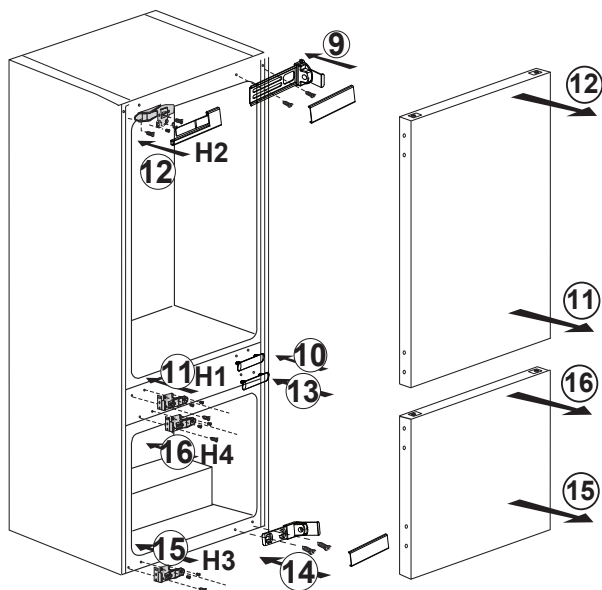
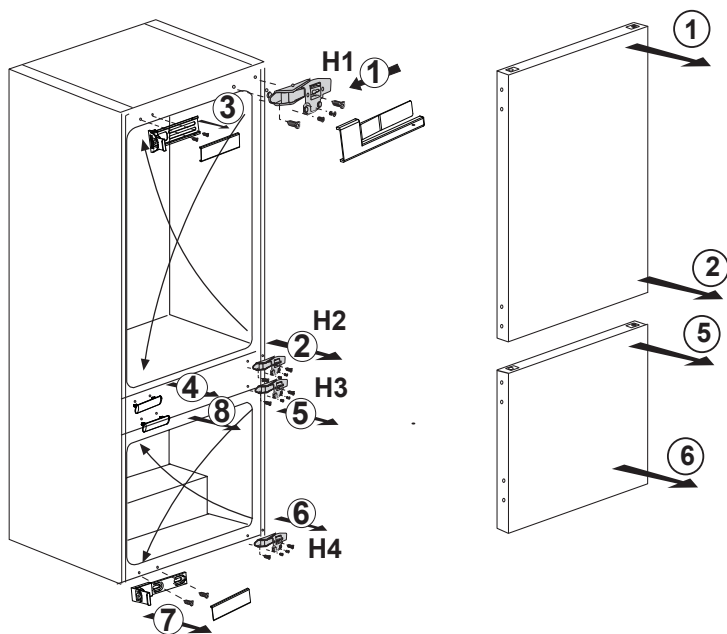
Rozlega się dźwiękowy sygnał ostrzegawczy, jeśli drzwiczki chłodziarki lub zamrażarki w urządzeniu pozostają otwarte przez określony czas. Sygnał ostrzegawczy cichnie po naciśnięciu dowolnego przycisku na wskaźniku lub po zamknięciu drzwiczek.

4 Przygotowanie

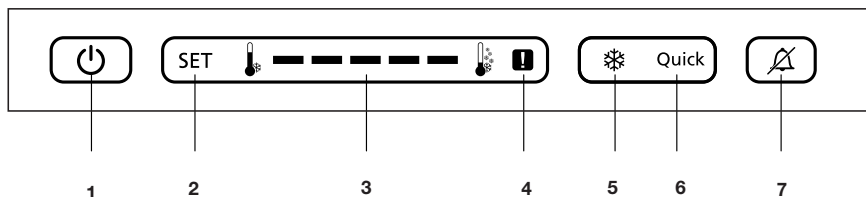
- Chłodziarkę tę należy zainstalować przynajmniej 30 cm od źródeł ciepła takich jak kuchenka, kaloryfer lub piec, i przynajmniej 5 cm od piecyka elektrycznego, a także że należy chronić ją przez bezpośrednim działaniem słońca.
- Temperatura otoczenia w pomieszczeniu, gdzie instaluje się chłodziarkę, powinna wynosić co najmniej 10°C. Ze względu na wydajność chłodziarki nie zaleca się użytkowania jej niższych temperaturach.
- Prosimy upewnić się, że wnętrze chłodziarki zostało dokładnie oczyszczone.
- Jeśli zainstalowane mają być dwie chłodziarki obok siebie, należy zachować co najmniej 2 cm odstęp między nimi.
- Przy pierwszym uruchomieniu chłodziarki prosimy przez pierwsze sześć godzin przestrzegać następujących instrukcji.
- Nie należy zbyt często otwierać drzwiczek.
- Należy uruchomić ją pustą, bez żadnej żywności we wnętrzu.
- Nie należy wyłączać wtyczki chłodziarki z gniazdka. W przypadku awarii zasilania, której nie można samemu naprawić, prosimy zastosować się do ostrzeżenia z rozdziału „Zalecane rozwiązania problemów”.
- Oryginalne opakowanie i elementy z pianki należy zachować do przyszłego transportu lub przeprowadzek.
- Maksymalną ilość żywności można zmieścić w komorze zamrażalnika lodówki po wyjęciu z niej szuflady. Podane zużycie energii przez chłodziarkę określono przy wyjętych szufladach z komory zamrażalnika, z wyjątkiem szuflady dolnej, jeśli była w danym modelu, i przy maksymalnej ilości żywności. Nie ma zagrożenia przy użyciu półki lub szuflady odpowiedniej do kształtów i rozmiarów zamrażanej żywności.
- Nie należy zasłaniać kratki wentylatora zamrażalnika poprzez umieszczenie przed nią żywności. Trzeba zawsze pozostawiać co najmniej 3 cm wolnej przestrzeni przed kratką wentylatora zamrażalnika, aby umożliwić przepływ powietrza niezbędny do skutecznego zamrażania w nim.

Przekładanie drzwi

Postępuj w kolejności zgodnej z numeracją.



5 Użytkowanie chłodziarki



1 - Funkcja On/Off [Zał./Wył.]

Naciśnij przycisk On/Off [Zał./Wył.] na 3 sekundy aby wyłączyć lub załączyć chłodziarkę.

2 - Funkcja nastawiania temperatury chłodzenia

Funkcja ta umożliwi nastawienie temperatury w komorze chłodzenia.

Naciśnij ten przycisk, aby nastawić temperaturę w komorze chłodzenia odpowiednio na - (najcieplej), --, ---, ----, - (najzimniej).

3 - Wskaźnik nastawienia temperatury w komorze chłodzenia

Wskazuje temperaturę nastawioną w komorze chłodzenia. Ustawienia to - (najcieplej), --, ---, ----, - (najzimniej)

4 - Wskaźnik ostrzegawczy wysoka temperatura/ błąd

Lampka ta zapala się jako ostrzeżenie w razie zbyt wysokiej temperatury lub awarii.

5 - Wskaźnik szybkiego chłodzenia

Ikonka ta zapala się gdy czynna jest funkcja szybkiego chłodzenia Quick Fridge.

6 - Funkcja szybkiego chłodzenia

Po naciśnięciu przycisku "Quick Fridge" [Szybkie chłodzenie] temperatura w komorze spadnie poniżej wartości nastawionej.

Funkcji tej używać można do gwałtownego chłodzenia żywności w komorze chłodzenia.

Jeśli ochłodzona ma być znaczna ilość świeżej żywności, zaleca się uruchomienie tej funkcji przed włożeniem żywności do chłodziarki. Wskaźnik szybkiego chłodzenia będzie się palić przez cały czas, gdy funkcja ta pozostaje włączona. Aby wyłączyć tę funkcję, ponownie naciśnijcie przycisk "Quick Fridge" [Szybkie chłodzenie]. Wskaźnik "Quick Fridge" zgaśnie i ustawienia temperatury powrócą do normalnych wartości.

Jeśli nie wyłączy się szybkiego chłodzenia, funkcja ta wyłączy się automatycznie po 2 godzinach lub gdy temperatura w komorze chłodzenia osiągnie żądaną wartość. Funkcja ta nie zostanie wywołana przy przywróceniu zasilania po jego awaryjnym wyłączeniu.

7- Wyłączenie alarmu

Po otwarciu drzwiczek chłodziarki na 2 minuty lub w razie awarii czujnika - odzywa się alarm dźwiękowy. Alarm można wyłączyć poprzez naciśnięcie przycisku "Alarm Off" [Wyłączanie alarmu].

Alarm awarii czujnika nie odezwie się aż do awarii zasilania. W 2 minuty po zamknięciu drzwiczek i ponownym ich otwarciu ponownie uruchomi się "alarm otwartych drzwiczek".

6 Konserwacja i czyszczenie

- ⚠ Do czyszczenia chłodziarki nie wolno używać benzyny, benzenu, ani podobnych substancji..
- ⚠ Zaleca się wyłączenie wtyczki chłodziarki z gniazdka przed jej czyszczeniem.
- ⚠ Do czyszczenia nie wolno stosować żadnych szorstkich narzędzi ani mydła, domowych środków czystości, detergentów, ani wosku do polerowania.
- ℹ Umyj obudowę chłodziarki letnią wodą i wytrzyj ją do sucha.
- ℹ Wnętrze należy czyścić ściereczką zamoczoną i wyżętą w roztworze jednej łyżeczki do herbaty sody oczyszczonej w 0,5 litra wody, a następnie wytrzeć do sucha.
- ⚠ Zadbaj, aby do obudowy lampki i innych urządzeń elektrycznych nie dostała się woda.
- ⚠ Jeśli chłodziarka ma być nieużywana przez dłuższy okres czasu, należy ją wyłączyć i całkowicie opróżnić z żywności, oczyścić i pozostawić z uchylonymi drzwiczkami.
- ℹ Regularnie sprawdzać, czy uszczelki w drzwiczkach są czyste i nie osadzają się na nich cząstki żywności.
- ⚠ Aby wyjąć półki z drzwiczek, opróżnić je z zawartości, a potem po prostu nacisnąć od podstawy ku górze.
- ⚠ Do czyszczenia powierzchni zewnętrznych i chromowanych części produktu nie należy używać ani środków czyszczących, ani wody z zawartością chloru. Chlor powoduje korozję takich powierzchni metalowych.

Zabezpieczenia powierzchni plastikowych

- ℹ Nie wkładać do chłodziarki oleju ani potraw smażonych na oleju w nieszczelnych pojemnikach, ponieważ może to uszkodzić jej plastikowe powierzchnie. W razie rozlania się lub rozsmarowania oleju na plastikowej powierzchni, od razu oczyścić i opłukać ciepłą wodą jej zabrudzoną część.

7 Zalecane rozwiązania problemów

Prosimy zapoznać się z tym wykazem przed wezwaniem serwisu. Może to oszczędzić Wasz czas i pieniądze. Wykaz ten zawiera częste kłopoty, które nie wynikają z wadliwego wykonania ani zastosowania wadliwych materiałów. Niektóre z opisanych tu funkcji mogą nie występować w tym modelu urządzenia.

Chłodziarka nie działa.

- Czy jest prawidłowo przyłączona do zasilania? Włożyć wtyczkę do gniazdka.
- Czy nie zadziałał bezpiecznik gniazdka, do którego jest przyłączona albo bezpiecznik główny? Sprawdzić bezpiecznik.

Skropliny na bocznej ścianie komory chłodzenia (MULTIZONE, COOL CONTROL oraz FLEXI ZONE).

- Bardzo niska temperatura otoczenia. Częste otwieranie i zamykanie drzwiczek. Znaczna wilgoć w otoczeniu. Przechowywanie żywności zawierającej płyny w otwartych pojemnikach. Pozostawienie uchylonych drzwiczek. Przełączyć termostat na niższą temperaturę.
- Otwierać drzwiczki na krócej albo rzadziej.
- Nakrywać żywność przechowywaną w otwartych pojemnikach odpowiednim materiałem.
- Wycierać skropliny suchą ściereczką i sprawdzać, czy nadal się utrzymują.

Sprężarka nie działa

- Zabezpieczenie termiczne sprężarki zadziała w trakcie nagłego zaniku zasilania lub załącza się i wyłącza, ponieważ nie wyrównało się jeszcze ciśnienie w systemie chłodzącym chłodziarki. Chłodziarka zacznie działać po ok. 6 minutach. Jeśli po upływie tego czasu chłodziarka nie zacznie działać, prosimy wezwać serwis.
- Chłodziarka jest w cyklu rozmrażania. Ton normalne dla chłodziarki z całkowicie automatycznym rozmrażaniem. Cykl rozmrażania następuje okresowo.
- Chłodziarka nie jest włączona do gniazdka. Upewnij się, że wtyczka jest prawidłowo włożona do gniazdka.
- Czy temperatura jest właściwie nastawiona?
- Być może w sieci nie ma prądu.

Chłodziarka pracuje często lub przez zbyt długi czas.

- Nowa chłodziarka jest szersza od poprzedniej. Jest to całkiem normalne. Duże chłodziarki działają przez dłuższy czas.
- Zbyt wysoka temperatura otoczenia. Jest to całkiem normalne.
- Chłodziarka została niedawno załączona lub jest przeladowana żywnością. Całkowite ochłodzenie chłodziarki może potrwać o parę godzin dłużej.
- Ostatnio włożono do chłodziarki znaczne ilości gorącej żywności. Gorące potrawy powodują dłuższą pracę chłodziarki zanim osiągnie temperaturę przechowywania.
- Zbyt często otwierano drzwiczki lub na dłużej pozostawiano je uchylone. Ciepłe powietrze, które weszło do chłodziarki, powoduje, że działa ona dłużej. Rzadziej otwierać drzwiczki.
- Pozostawiono uchylone drzwiczki komory chłodzenia lub zamrażania. Sprawdzić, czy drzwiczki są szczelnie zamknięte.
- Chłodziarka jest nastawiona na bardzo niską temperaturę. Nastawić chłodziarkę na wyższą temperaturę i odczekać, aż zostanie ona osiągnięta.
- Uszczelka w drzwiczkach chłodziarki lub zamrażalnika jest zabrudzona, uszkodzona, pęknięta lub nieprawidłowo włożona. Oczyszczyć lub wymienić uszczelkę. Uszkodzona/pęknięta uszczelka powoduje, że chłodziarka pracuje przez dłuższy czas, aby utrzymać bieżącą temperaturę.

Temperatura zamrażalnika jest bardzo niska, a temperatura chłodzenia jest wystarczająca.

- Chłodziarka jest nastawiona na bardzo niską temperaturę zamrażania. Nastawić chłodziarkę na wyższą temperaturę zamrażania i sprawdzić.

Temperatura chłodzenia jest bardzo niska, a temperatura zamrażania jest wystarczająca.

- Chłodziarka nastawiona jest na bardzo niską temperaturę chłodzenia. Nastawić chłodziarkę na wyższą temperaturę chłodzenia i sprawdzić.

Żywność przechowywana w szufladach komory zamraża.

- Chłodziarka nastawiona jest na bardzo niską temperaturę chłodzenia. Nastawić chłodziarkę na wyższą temperaturę chłodzenia i sprawdzić.

Bardzo wysoka temperatura w chłodziarce lub zamrażalniku.
<ul style="list-style-type: none"> • Chłodziarka nastawiona jest na bardzo wysoką temperaturę chłodzenia. Nastawienia chłodziarki wpływają na temperaturę w zamrażalniku. Zmienić temperaturę w chłodziarce lub zamrażalniku aż osiągnie odpowiedni poziom. • Zbyt często otwierano drzwiczki lub na dłużej pozostawiano je uchylone, należy je rzadziej otwierać. • Drzwiczki pozostawiono uchylone, należy je dokładnie zamknąć. • Ostatnio włożono do chłodziarki znaczne ilości gorącej żywności. Odczekać, aż temperatura w chłodziarce lub zamrażalniku osiągnie właściwy poziom. • Chłodziarkę załączono niedawno. Całkowite chłodzenie chłodziarki trochę potrwa.
Gdy chłodziarka pracuje, poziom hałasu wrasta.
<ul style="list-style-type: none"> • Z powodu zmian temperatury otoczenia zmieniły się charakterystyki eksploatacyjne chłodziarki. Jest to stan normalny, nie zaś awaria.
Drgania lub hałas
<ul style="list-style-type: none"> • Nierówna lub słaba podłoga. Chłodziarka podskakuje, gdy porusza się ją powoli. Sprawdź, czy podłoga jest równa i wytrzymuje ciężar chłodziarki. • Hałas powodują rzeczy położone na chłodziarce. Należy usunąć przedmioty ustawione na chłodziarce.
Z chłodziarki dochodzą odgłosy przelewania się i syczenia płynu.
<ul style="list-style-type: none"> • Zgodnie z zasadą funkcjonowania chłodziarki następują przepływy płynu lub gazu. Jest to stan normalny, nie zaś awaria.
Odgłos jakby szumu wiatru.
<ul style="list-style-type: none"> • Do ochłodzenia chłodziarki użyto wentylatorów. Jest to stan normalny, nie zaś awaria.
Skropliny na wewnętrznych ściankach chłodziarki.
<ul style="list-style-type: none"> • Ciepła i wilgotna pogoda sprzyja oblodzeniu i skraplaniu. Jest to stan normalny, nie zaś awaria. • Drzwiczki mogą być uchylone, upewnij się, że są całkowicie zamknięte. • Zbyt często otwierano drzwiczki lub na dłużej pozostawiano je uchylone, należy je rzadziej otwierać.
Na zewnątrz chłodziarki, lub pomiędzy drzwiczkami pojawia się wilgoć.
<ul style="list-style-type: none"> • Być może w powietrzu jest wilgoć; to całkiem normalne przy wilgotnej pogodzie. Gdy wilgoć w powietrzu ustąpi, skropliny znikną.
Nieprzyjemna woń wewnątrz chłodziarki.
<ul style="list-style-type: none"> • Trzeba oczyścić wnętrze chłodziarki. Oczyść wnętrze chłodziarki gąbką namoczoną w ciepłej lub gazowanej wodzie. • Woń powodują jakieś pojemniki lub materiały opakowaniowe. Używać innych pojemników lub materiałów opakowaniowych innej marki.

Drzwiczki są niezamknięte.

- W zamknięciu drzwiczek przeszkadzają paczki z żywnością. Przełożyć paczki przeszkadzające zamknięciu drzwiczek.
- Chłodziarka nie stoi całkiem pionowo na podłodze i kiwa się przy lekkim poruszeniu. Wyregulować wysokość nóżek.
- Podłoga nie jest równa lub dość wytrzymała. Sprawdzić, czy podłoga jest równa i wytrzyma ciężar chłodziarki.

Szuflady do przechowywania świeżych warzyw się zatarty.

- Żywność dotyka sufitu szuflady. Zmienić ułożenie żywności w szufladzie.

